

FS12, FS15 AND CUSTOM LENGTHS ALLOWABLE LOADS (LBS)

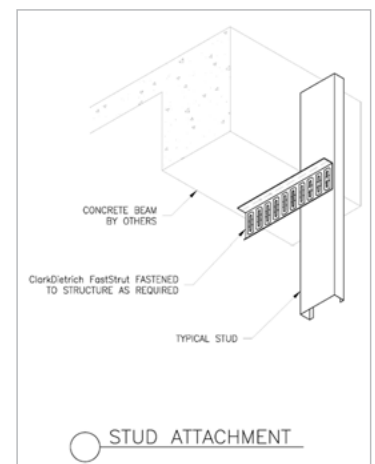
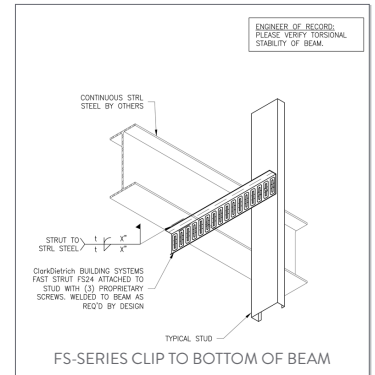
Stud thickness and yield strength	Slip allowance (in)	Welded direct to structural steel	Mechanically Anchored				
			Number of anchors	PAF in steel (FS=5)	PAF in steel (FS=10)	Buildex #12-24 screws in steel	Hilti 1/4"x1-3/4" Kwik-Cons in concrete
20ga (33mil) 33ksi	0.75	546	2	546	290	546	269
		546	3	546	343	546	—
	1.25	546	2	513	257	546	232
		546	3	546	294	546	—
18ga (43mil) 33ksi	0.75	1522	2	579	290	789	269
		1522	3	686	343	963	—
	1.25	1522	2	513	257	720	232
		1522	3	587	294	760	—
16ga (54mil) 33ksi	0.75	1612	2	579	290	789	269
		1612	3	686	343	963	—
	1.25	1612	2	513	257	720	232
		1612	3	587	294	760	—
16ga (54mil) 50ksi	0.75	1705	2	579	290	789	269
		1705	3	686	343	963	—
	1.25	1705	2	513	257	720	232
		1705	3	587	294	760	—
14ga (68mil) 33ksi	0.75	1792	2	579	290	789	269
		1792	3	686	343	963	—
	1.25	1792	2	513	257	720	232
		1792	3	587	294	760	—
14ga (68mil) 50ksi	0.75	1978	2	579	290	789	269
		1978	3	686	343	963	—
	1.25	1978	2	513	257	720	232
		1978	3	587	294	760	—
12ga (97mil) 33ksi	0.75	2481	2	579	290	789	269
		2481	3	686	343	963	—
	1.25	2481	2	513	257	720	232
		2481	3	587	294	760	—
12ga (97mil) 50ksi	0.75	2997	2	579	290	789	269
		2997	3	686	343	963	—
	1.25	2997	2	513	257	720	232
		2997	3	587	294	760	—

Notes:

- 1 Except when welding, tabulated values require a minimum of 4" of structure engagement. For other conditions or technical assistance, contact ClarkDietrich at 888-437-3244.
- 2 The tabulated values for welds are based on the following weld lengths: use 4-1/2" of weld along each edge of the 1-1/2" FastStrut leg for 20, and 18 gauge, use 5-1/2" along each edge for 16 and 14 gauge, use 6-1/2" along each edge for 12 gauge. Use E70XX (min.) electrodes. (Note that the welded values may require more than 4" of structure engagement.)
- 3 Tabulated values for PAFs and Buildex screws are based on the following: fasteners are spaced at 3" o.c. (min.) when using two anchors, and 1-1/2" o.c. (min.) when using three anchors; anchors are placed 1/2" (min.) away from the edge of the building structure, and 1/2" (min.) away from edge of the Fast Strut.
- 4 Tabulated values for Hilti Kwik-Cons are based on the following: anchors are spaced at 2-3/4" o.c. (min.), anchors are placed 3/4" (min.) away from edge of building structure and 1/2" (min.) away from edge of Fast Strut. The tabulated values are based on 3000psi normal weight concrete.
- 5 For 3/4" deflection, center the propriety screws along the top most hash mark. For 1-1/4" deflection, center the screws along the center hash mark.
- 6 Capacities listed for PAFs are based on minimum PAF requirements listed in General Note #6 on page 9.
- 7 It is the responsibility of the design professional to detail the project drawings for proper clip attachment.
- 9 Hilti is a registered trademark of Hilti Aktiengesellschaft Corporation.

*Fast Strut™ (FS12, FS15, FS18, FS20, FS24) are distributed by Bailey Metal Products in Canada under permission granted by ClarkDietrich Building Systems. ClarkDietrich Fast Strut™ is a trademark of ClarkDietrich.

Typical Construction Details



Email technicalservice@bmp-group.com for construction details.

DEFLECTION CONNECTIONS