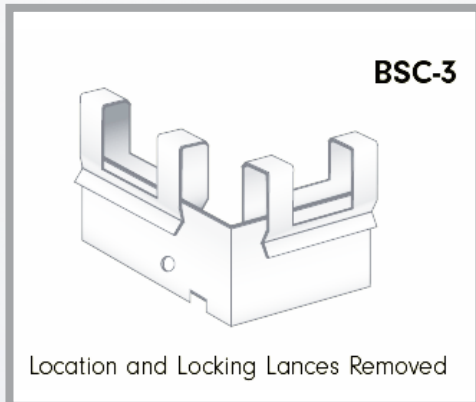


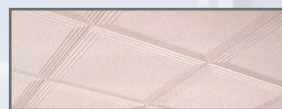
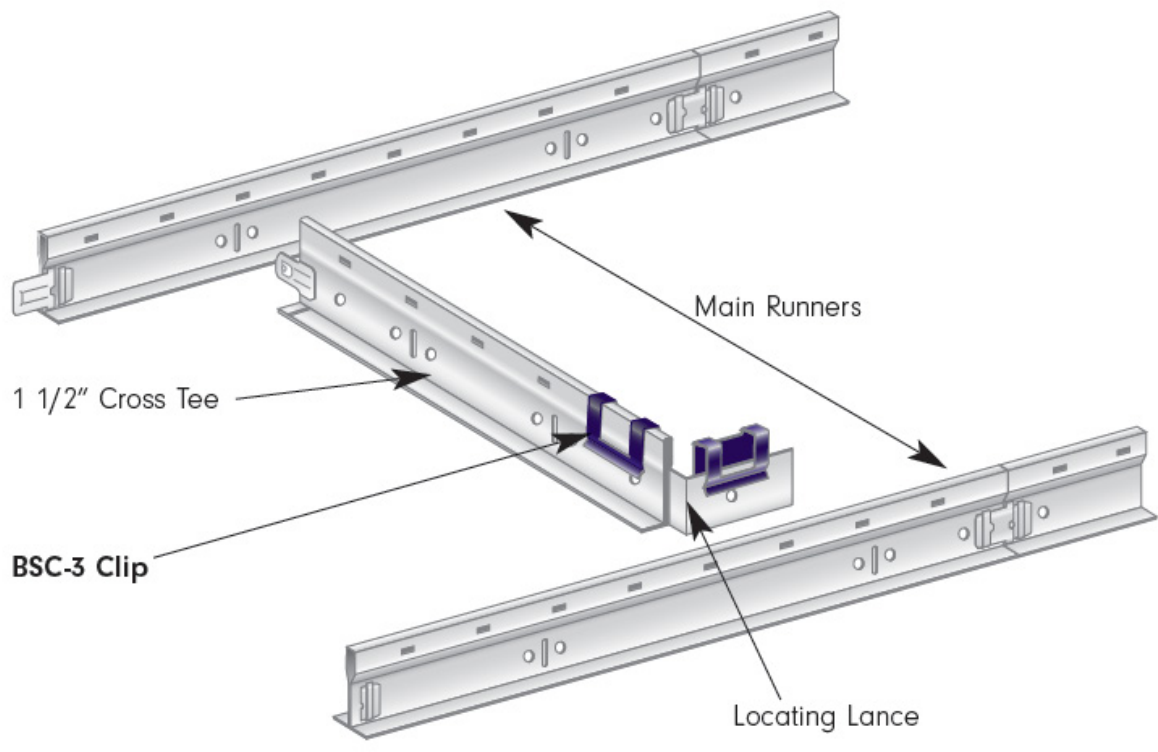
BAILEY RELOCATABLE CLIP (REMOVABLE CROSS TEE SYSTEM)



The Bailey Relocatable Clip is designed to allow a cross tee to main tee connection within non-compatible systems and non-modular layouts.

Existing ceilings may be changed or added to use grid, irrespective of the original ceiling system. In ceilings requiring the installation of custom size fixtures, diffusers, speakers, etc., additional cross tees can easily be locked in place, even after ceiling completion.

Standard BSC-3 Clip Installation



sales@bmp-group.com | www.bmp-group.com

BAILEY[®]
METAL PRODUCTS LIMITED

MONTREAL

800-263-3455

commande@bmp-group.com

TORONTO

800-668-2154

tor-orders@bmp-group.com

CALGARY

800-665-2013

cal-orders@bmp-group.com

EDMONTON

800-563-1751

edm-orders@bmp-group.com

VANCOUVER

800-818-2666

van-orders@bmp-group.com