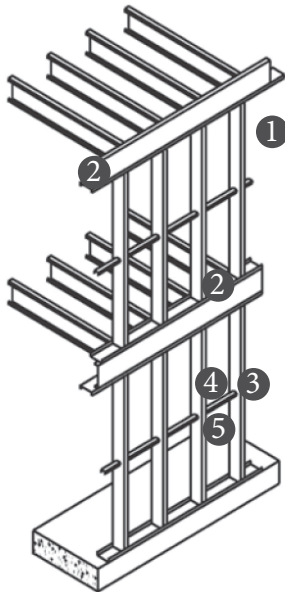


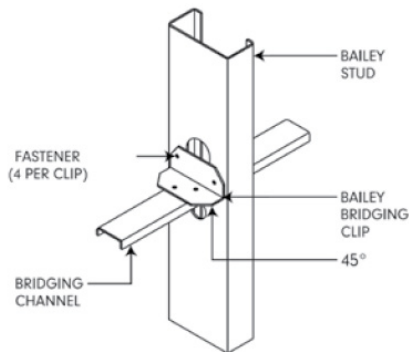
Axial Load Bearing Lightweight Steel Framing



Axial loadbearing studs are designed to carry both lateral and axial loads. Axial loads are gravity loads (vertical loads). It is important to note that wind bearing studs and axial studs can be the same product (size, gauge). The difference in terminology only applies to their intended application or how they are being used. The Bailey load tables identify the axial (vertical) load that can be supported by each member under given lateral load conditions.

Wall Components for Bridging with Axial Bearing Stud

1. Wall studs subject to lateral axial load
2. Top and bottom track
3. Carrying channel
4. Bridging clips
5. Fasteners



PROPER BRIDGING WITH AXIAL BEARING STUD

- Provide bridging at 4'-0" o.c. or less in order to align members and to provide the necessary structural integrity during construction and in the completed structure.
- Design the bridging to prevent stud rotation.
- Provide periodic anchorage for the bridging as required structurally.

ASTM & CODE STANDARDS

- ASTM C955 - Standard Specification for Cold-Formed Steel Structural Framing Members
- ASTM C1007- Standard Specification for Installation of Load Bearing (Transverse and Axial) Steel Studs and Related Accessories
- ASTM A1003 / A1003M- Standard Specification for Steel Sheet, Carbon, Metallic- and Nonmetallic-Coated for Cold-Formed Framing Members

LEED INFORMATION

Recycled Content (Credit 4.1)
Regional Material (Credit 5.1)

Correct at time of publishing (August 2017)

RELATED DOCUMENTS

1. [Deflection Connectors- Clips Catalog](#)
2. [Lightweight Steel Framing Wall Stud & Floor Joist Load Tables](#)
3. [Design and Build with Confidence! Bailey Structural Wall Studs](#)

CONTACT INFORMATION

MONTREAL

DORVAL, QC
Tel: 514-735-3455
Toll Free: 1-800-263-3455

TORONTO

CONCORD, ON
Tel: 905-738-9267
Toll Free: 1-800-668-2154

CALGARY

CALGARY, AB
Tel: 403-248-3536
Toll Free: 1-800-665-2013

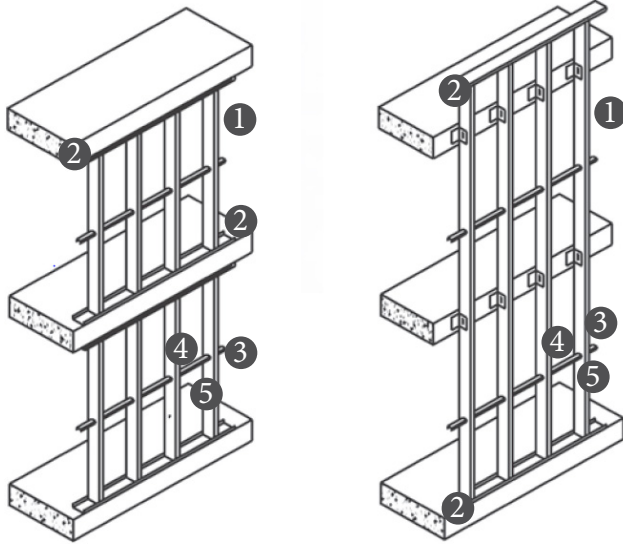
EDMONTON

EDMONTON, AB
Tel: 780-462-5757
Toll Free: 1-800-563-1751

VANCOUVER

SURREY, BC
Tel: 604-590-5100
Toll Free: 1-800-818-2666

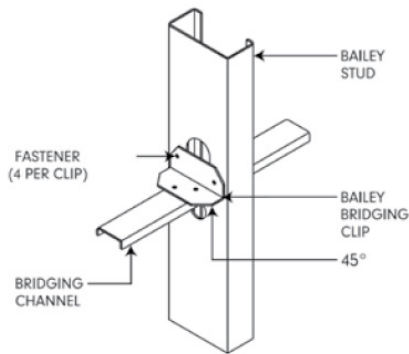
Wind (Lateral) Load Bearing Lightweight Steel Framing



Wind Bearing Studs, sometimes referred to as Curtain Wall Studs, and are used in applications that are subjected to lateral loads only. Think of an exterior wall that does not need to accept any gravity loads but merely resist lateral forces. What makes steel such an attractive option for these applications is its superior strength to weight ratio, speed of erection, and the flexibility it gives design professionals.

Wall Components for Bridging with Wind Bearing Stud

1. Wall studs subject to lateral loads
2. Top and bottom track
3. Carrying channel
4. Bridging clips
5. Fasteners



PROPER BRIDGING FOR WIND BEARING APPLICATIONS

- Provide Bridging at 5'-0" o.c or less in order to align members and provide the necessary structural integrity during construction and in the completed structure.
- Design the bridging to prevent stud rotation.
- Provide periodic anchorage and/or blocking-in for the bridging as required structurally.

ASTM & CODE STANDARDS

- ASTM C955 - Standard Specification for Cold-Formed Steel Structural Framing Members
- ASTM C1007- Standard Specification for Installation of Load Bearing (Transverse and Axial) Steel Studs and Related Accessories
- ASTM A1003 / A1003M- Standard Specification for Steel Sheet, Carbon, Metallic- and Nonmetallic-Coated for Cold-Formed Framing Members

LEED INFORMATION

Recycled Content (Credit 4.1)
Regional Material (Credit 5.1)

Correct at time of publishing (August 2017)

RELATED DOCUMENTS

1. [Deflection Connectors- Clips Catalog](#)
2. [Lightweight Steel Framing Wall Stud & Floor Joist Load Tables](#)

CONTACT INFORMATION

MONTREAL

DORVAL, QC
Tel: 514-735-3455
Toll Free: 1-800-263-3455

TORONTO

CONCORD, ON
Tel: 905-738-9267
Toll Free: 1-800-668-2154

CALGARY

CALGARY, AB
Tel: 403-248-3536
Toll Free: 1-800-665-2013

EDMONTON

EDMONTON, AB
Tel: 780-462-5757
Toll Free: 1-800-563-1751

VANCOUVER

SURREY, BC
Tel: 604-590-5100
Toll Free: 1-800-818-2666