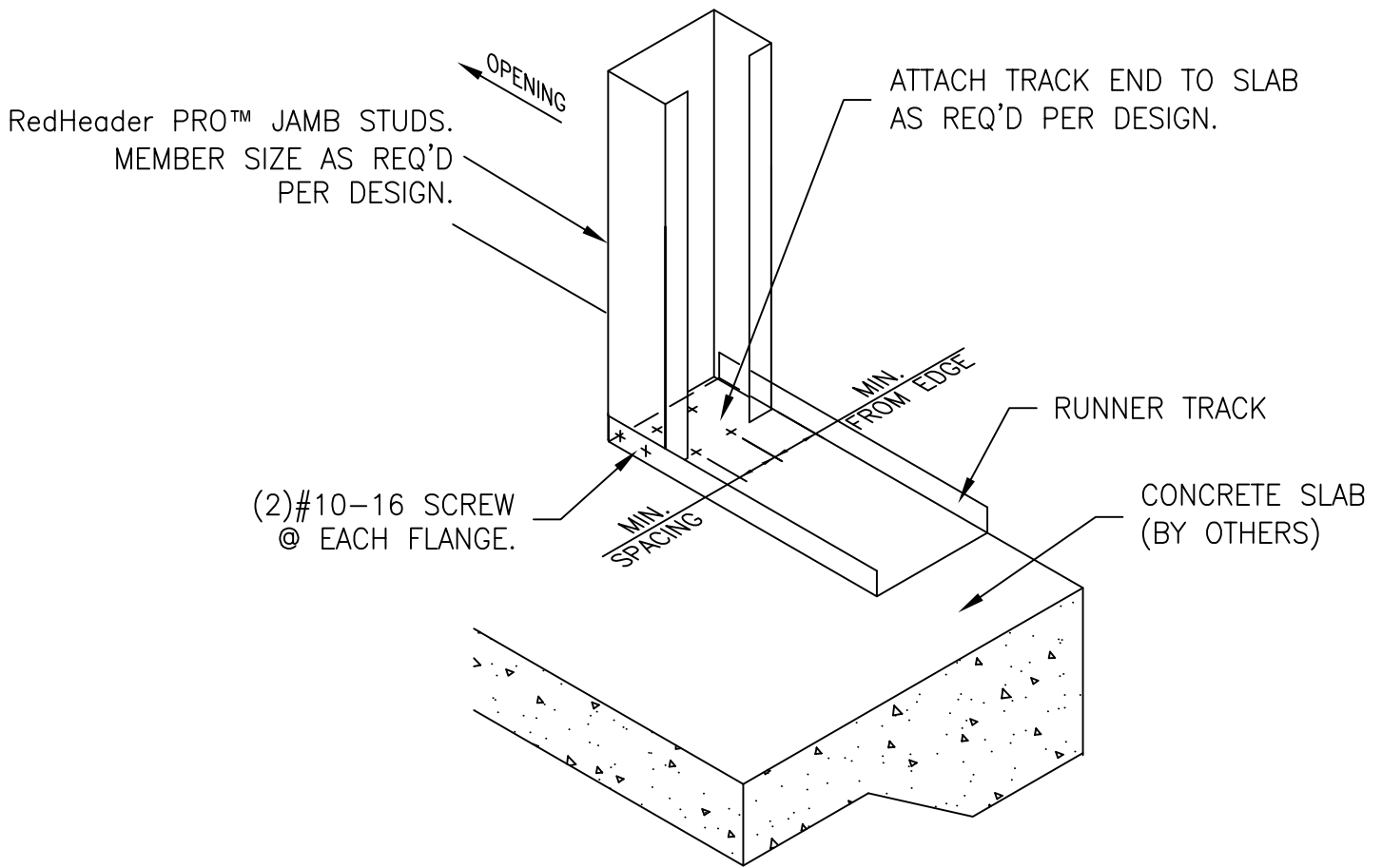


TOP VIEW



**BAILEY**<sup>®</sup>  
METAL PRODUCTS LIMITED

## DOOR JAMB ANCHORAGE

RedHeader PRO™ JAMB ANCHORAGE TO STRUCTURE  
w/(4) FASTENER'S

This detail library is intended to provide general framing details only and does not replace the judgments and designs of a qualified architect and/or engineer. The details are provided as a starting tool to assist the user in creating and detailing cold-formed steel framing construction details.

Each detail including accompanying text must be thoroughly evaluated and approved by a qualified architect or engineer.

© Copyright 2017 ClarkDietrich Building Systems For more information visit [www.bmp-group.com](http://www.bmp-group.com) or call (905) 738-9267