



THE STRENGTH WITHIN

STEEL TRIMS AND ACCESSORIES FOR DRYWALL CONSTRUCTION

Quality in your corner.



MONTREAL • TORONTO • CALGARY • EDMONTON • VANCOUVER

BAILEY[®]
METAL PRODUCTS LIMITED



BAILEY[®]
METAL PRODUCTS LIMITED



STEEL TRIMS AND ACCESSORIES for Drywall Construction

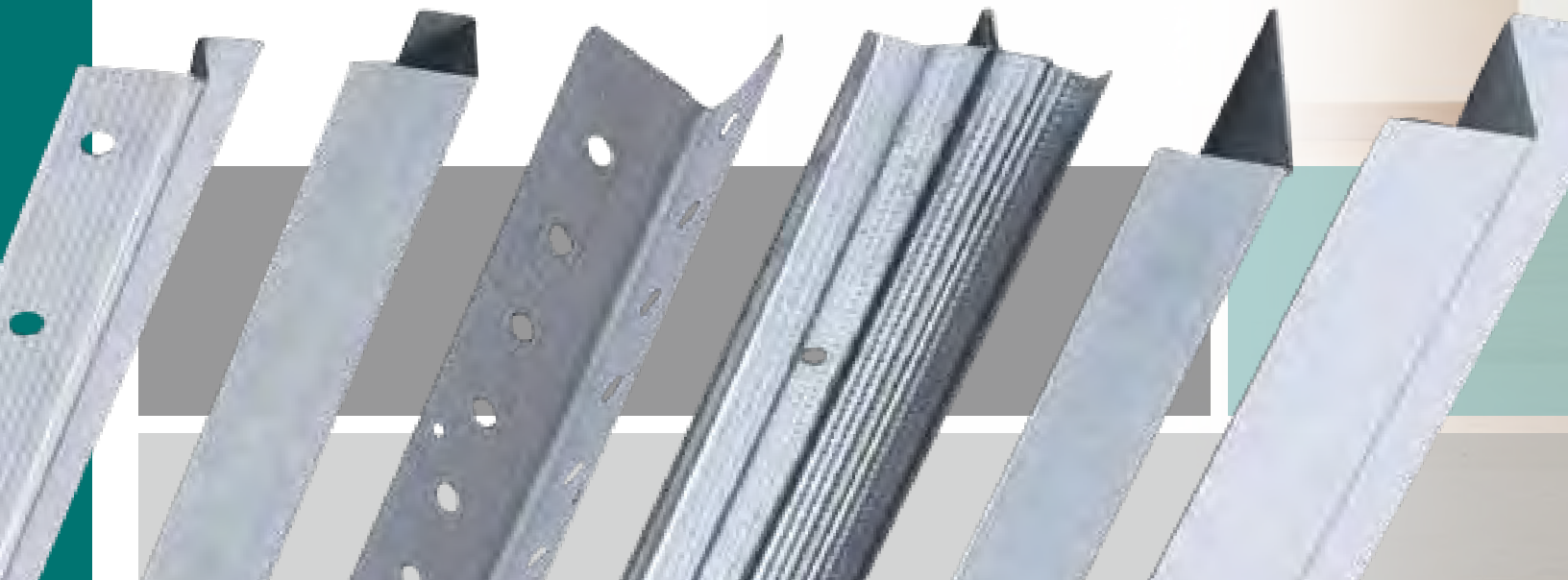
BAILEY HAS YOUR TRIM SOLUTION

Quality in your corner.

The Bailey Group of Companies is recognized as the industry leader, offering building solutions to both the commercial framing and drywall finishing residential markets. We offer a range of drywall trim solutions including metal trims, Platinum[®] Paper-faced metal beads and vinyl trims.

For further information on our Platinum[®] Paper-faced product line or our vinyl trims please visit us at www.bmp-group.com.

Our metal trims are made of sturdy zinc-coated steel, for excellent protection to external corners. Our trims provide superior compound adhesion and can be applied either with nails or screws. Custom-made profiles and shapes are available to meet your specifications.





STANDARDS

BAILEY products are designed and produced to meet and exceed all codes and standards.

Applicable standards for Trims and Accessories are as follows:

PROFILE, STEEL THICKNESS AND DIMENSIONS – ASTM C645
(With permissible tolerance) for stud and track and furring channel.

GRADE OF STEEL – ASTM A1003

For sheet metal, metallic and nonmetallic coated.

COATING (GALVANIZING)

Zinc/galvanized coated steel to – **ASTM A653**

Aluminum zinc coated steel to – **ASTM A792**

INSTALLATION – ASTM C754

STANDARDS FOR TRIMS AND ACCESSORIES – ASTM C1047

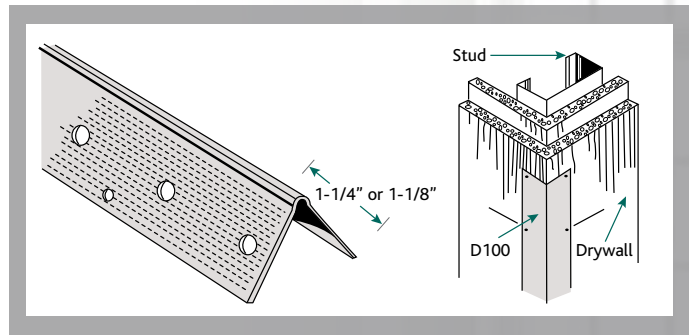
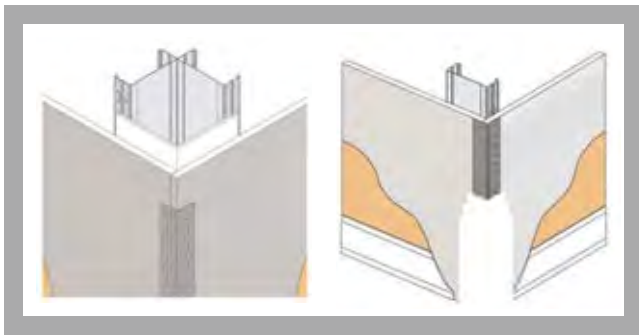


BAILEY[®]
METAL PRODUCTS LIMITED

DRYWALL CORNER BEAD & METAL TRIMS

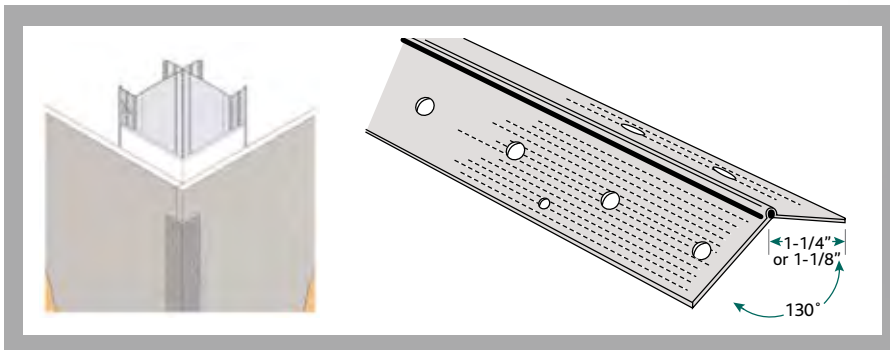
D100-90° DRYWALL CORNER BEAD

- Provides excellent protection and precision to 90° external corners
- Holes and knurled surface allow for superior joint compound adhesion
- Can be applied either with nails, screws or clinch-on tools
- Available from stock with 1-1/4" or 1-1/8" flanges



D100-130° DRYWALL CORNER BEAD

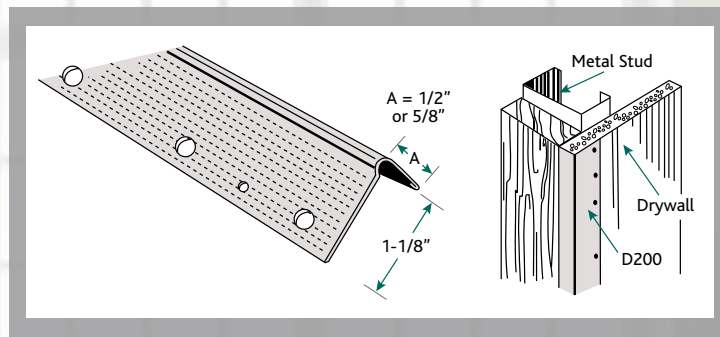
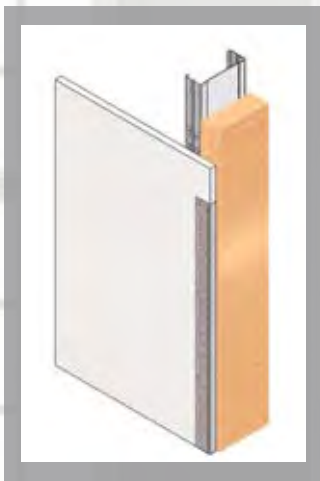
- Provides excellent protection and precision to wide angle corners from 130° to 135°
- Holes and knurled surface allow for superior joint compound adhesion
- Can be applied either with nails, screws or clinch-on tools
- Available from stock with 1-1/4" or 1-1/8" flanges





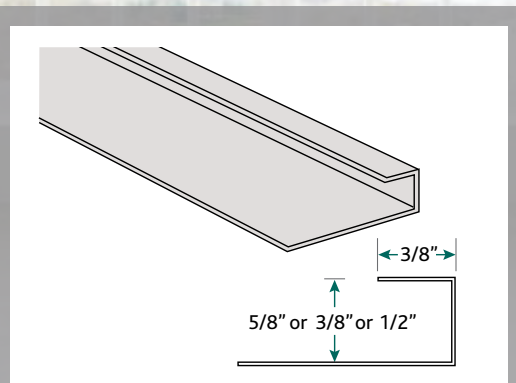
D200 DRYWALL METAL L TRIM

- Provides a neat finish and solid protection to gypsum wallboard at window and door jambs where wood trim is omitted
- Used with 1/2" and 5/8" wallboard
- Holes and knurled surface allow for superior joint compound adhesion
- Can be applied either with nails or screws



D400 DRYWALL METAL J TRIM

- Provides edge protection at window and door openings, and where wallboard butts against concrete or other materials
- Used with 3/8", 1/2" or 5/8" wallboard
- Finishing compound is optional





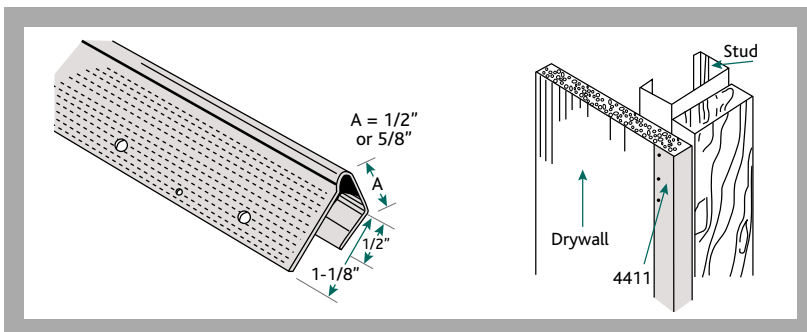
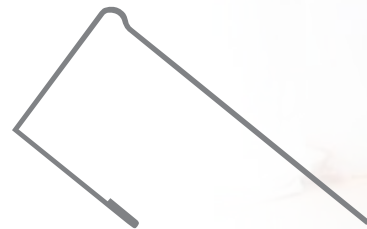
BAILEY[®]
METAL PRODUCTS LIMITED



DRYWALL CORNER BEAD & METAL TRIMS

4411 CHANNEL TRIM

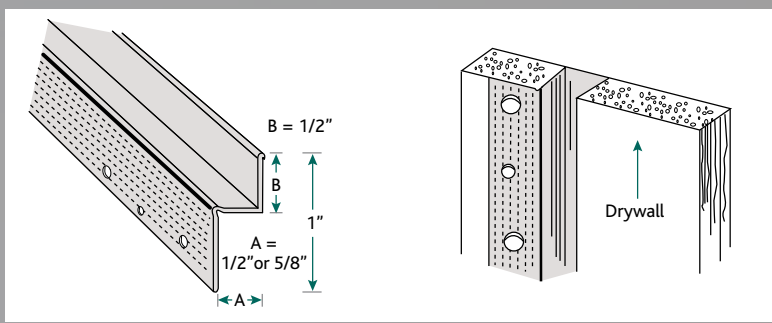
- Provides a tapeable steel casing that provides maximum protection at door and window jambs
- Used with 1/2" and 5/8" wallboard
- Quickly installed by nailing through channel and board into the jamb or framing



DRYWALL REVEAL TRIMS

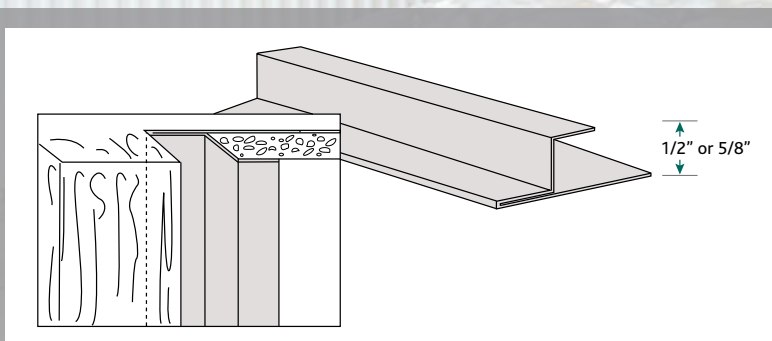
D300 DRYWALL REVEAL TRIM

- Provides crisp clean reveals around openings or at ceilings and floors
- Holes and knurled surface allow for superior joint compound adhesion
- Available from stock with 1/2" or 5/8" flanges to provide a 1/2" reveal



D800 DRYWALL REVEAL TRIM

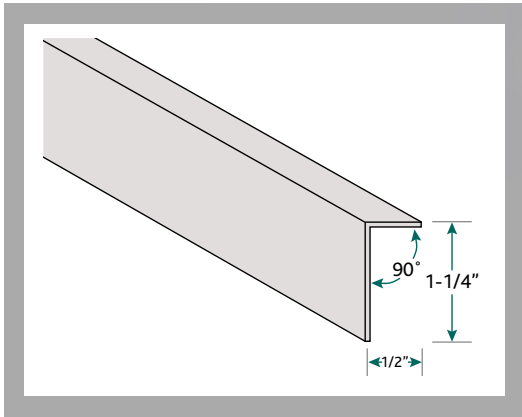
- Used at doors, windows, ceilings, etc.
- Surface is ready for painting and additional finishing is not required
- Available from stock with 1/2" reveal
- Custom reveals are available upon request (please inquire for availability by region)



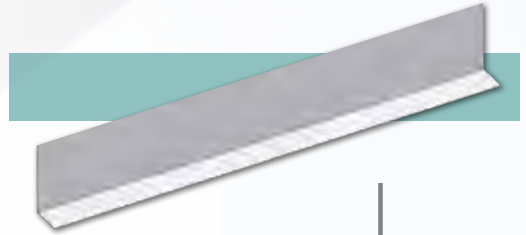


TRIMS & SPECIAL PROFILES

D500 ANGLE TRIM

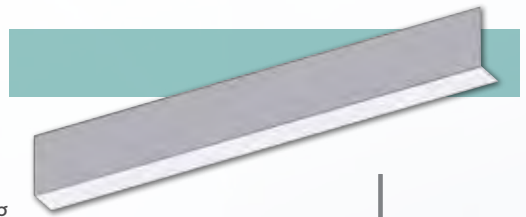
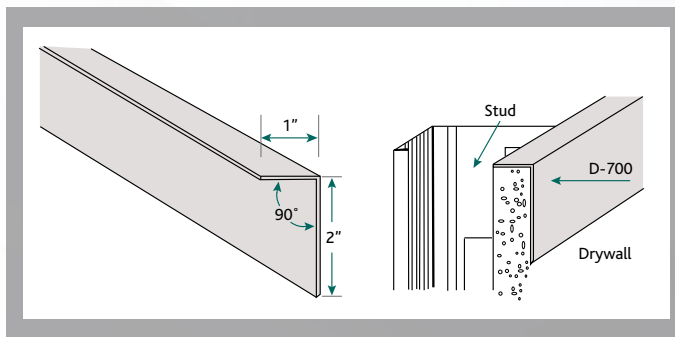


- Finishes and protects drywall edges
- Applied using standard joint compound adhesion after board is in place
- Available from stock 1-1/4" X 1/2"

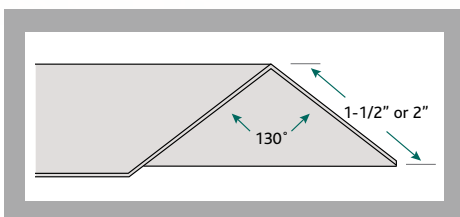


D700 ANGLE FRAMING TRIM

- Very versatile 90° angle used to connect, reinforce or secure framing in various drywall applications
- Common applications include column framing, bulkheads, soffit framing and floor and ceiling runners
- Available from stock 1" X 2"



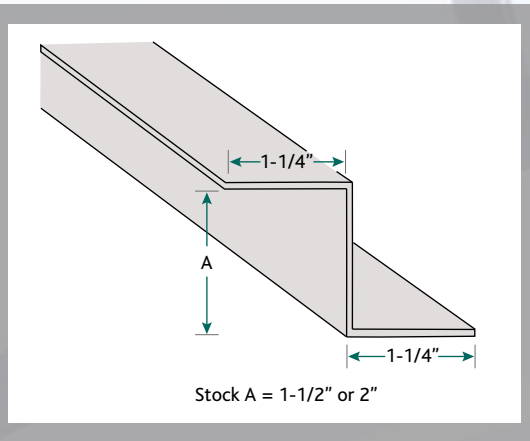
130° ANGLE TRIMS



- Designed for 130° external corner construction
- Flange size and angle can be varied to meet design criteria
- Available from stock with 2" x 2" or 1-1/2" x 1-1/2"

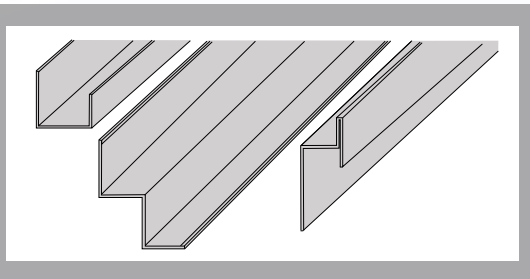


D900 Z TRIM



- Holds rigid insulation in place and provides a face to fasten finishing (drywall, siding, etc.)
- Suitable for interior or exterior applications
- Available in steel thicknesses up to 68 mils (14ga)
- Available from stock 1-1/2" X 2" insulation thickness

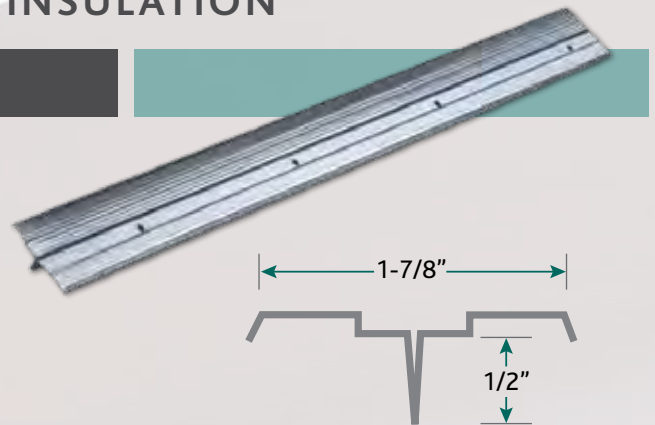
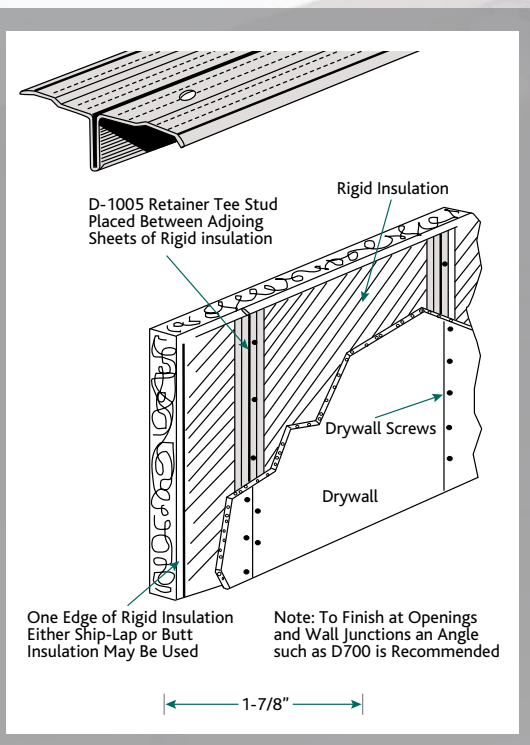
SPECIAL PROFILES



- Special profiles and custom shapes are manufactured from different steel thicknesses and widths up to 68 mils
- Girts, battens and purlins are made to specification
- Please inquire for availability by region

RETAINER TEE STUD: FOR RIGID INSULATION

D1005 RETAINER TEE STUD



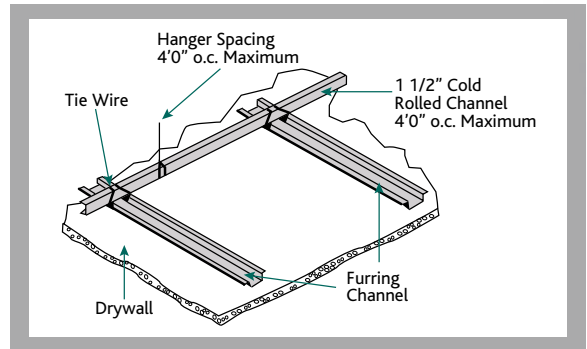
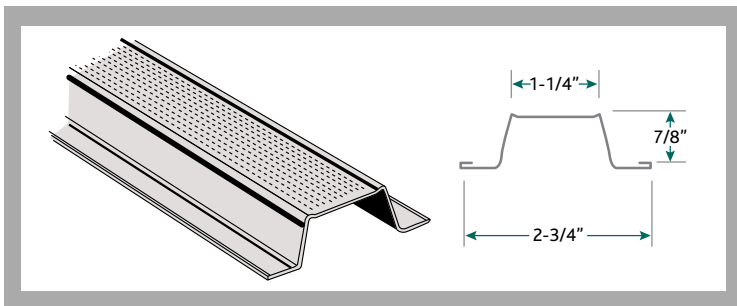
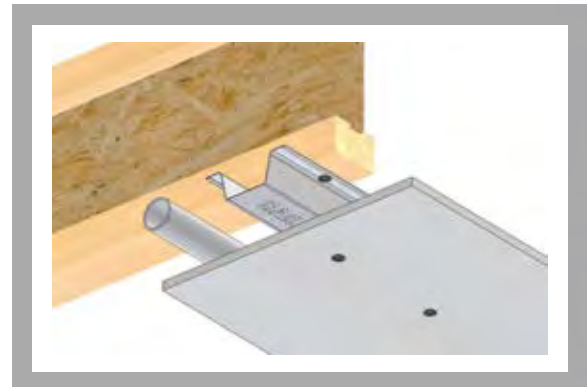
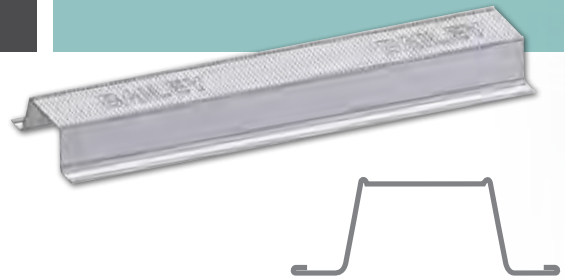
- Holds rigid insulation against a masonry wall when placed between adjoining sheets
- The top surface is knurled to easily accept screws to secure drywall
- Manufactured from zinc-coated steel with pierced holes for securing the "Tee" to the masonry wall
- Holes are 5/16" diameter spaced 6" o.c. to allow for greater flexibility



FURRING CHANNELS & TOP HAT SECTIONS

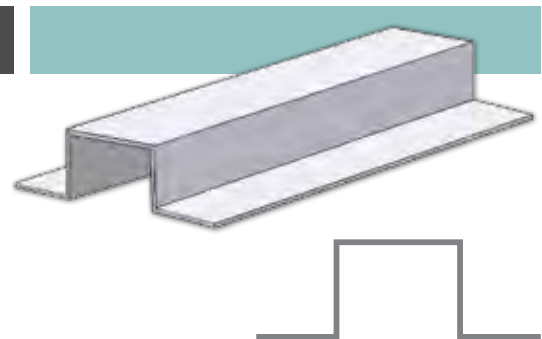
D1001 DRYWALL FURRING CHANNELS

- A hat-shaped framing accessory designed to “furr” out any surface for the application of the final finish (i.e. metal siding on steel studs, drywall on masonry, etc.)
- Furring channel used in conjunction with cold rolled channel is the ideal system for the construction of a drywall ceiling
- Install 1-1/2” cold rolled galvanized channel at 4’ o.c. suspended from floor joist or deck using the specified hanger wire (Lighter than #9 (gauge) wire should not be used)
- Drywall furring channel is installed perpendicular to the cold rolled channel at 16” o.c.
- Steel stud or D700 1” x 2” angle may be used for perimeter connection of gypsum board
- Fully engineered in .018, .033 and .043 thicknesses
- Contact us at www.bmp-group.com for the published span tables



TOP HAT SECTIONS

- Similar to D1001 Drywall Furring Channel, Top Hat sections are designed for areas where a wider face or a deeper section is required (roof purlins, etc.)
- Available in .018, .033 and .043 thicknesses to enable construction over greater spans





RESILIENT CHANNEL SYSTEM: FOR SOUND CONTROL

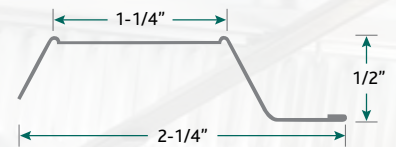
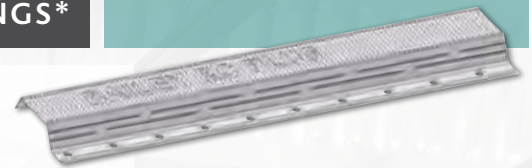
BAILEY RC PLUS™ DELIVERS SUPERIOR STC RATINGS*

Although there are many products and techniques available to enhance sound attenuation between living spaces, resilient channel remains the most cost effective and commonly used technique.

Bailey RC PLUS™ Resilient Channel is a single leg specially formed metal component that, when used to support the drywall (instead of directly fastening drywall to the studs or joists), greatly improves the sound transmission characteristics of the wall or ceiling assembly.

- Installs on wood or metal framing
- National Research Council tested for Bailey Metal Products Limited
- Use RC PLUS™ to meet sound ratings with less board, or use the same layers of board to get enhanced ratings
- Features knurled face for easy screw penetration. Innovative slots punched in the metal web provide resiliency to reduce sound transmission through the steel
- Pre-drilled holes at 1" o.c. coordinate with web slots to offer inherent alignment of stud to web slots, thereby eliminating potential for installer error
- The unique design of the slotted web assists in faster, more accurate spacing and easier installation

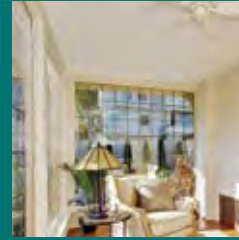
* Sound Transmission Class (or STC) is a rating of how well a building partition attenuates airborne sound





BAILEY[®]

METAL PRODUCTS LIMITED



STEEL TRIMS AND ACCESSORIES FOR DRYWALL CONSTRUCTION

The technical data in this brochure is intended as an aid to the design professional and should not be used to replace the judgement of a qualified Engineer or Architect.

sales@bmp-group.com • www.bmp-group.com



ST08IN16-2000

MONTREAL

525 Avenue Edward VII
Dorval, QC H9P 1E7
Tel. (514) 735-3455
800-263-3455
Fax. (514) 735-5052

TORONTO

1 Caldari Road
Concord, ON L4K 3Z9
Tel. (905) 738-9267
800-668-2154
Fax. (905) 738-5712

CALGARY

3924 27th Street NE
Calgary, AB T1Y 5K7
Tel. (403) 248-3536
800-665-2013
Fax. (403) 248-0288

EDMONTON

101-5710 Roper Road NW
Edmonton, AB T6B 3G7
Tel. (780) 462-5757
800-563-1751
Fax. (780) 450-3378

VANCOUVER

7715 Anvil Way
Surrey, BC V3W 6A2
Tel. (604) 590-5100
800-818-2666
Fax. (604) 590-5105