



THE STRENGTH WITHIN

C-JOIST SPAN TABLES AND DETAILS



MONTREAL • TORONTO • CALGARY • EDMONTON • VANCOUVER

BAILEY[®]
METAL PRODUCTS LIMITED



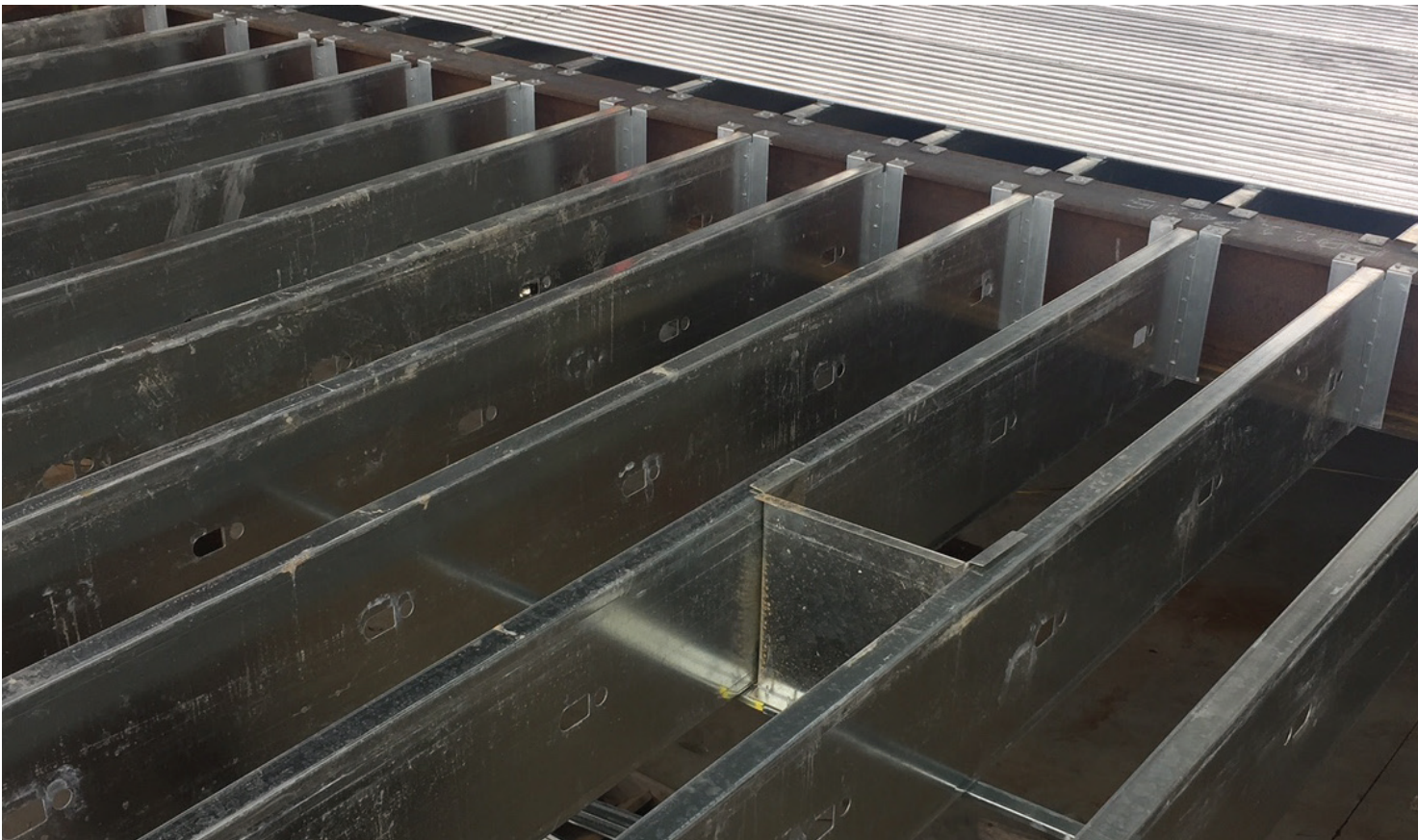


C-JOIST FLOOR SYSTEM

The Bailey C-Joist Floor System provides an economical lightweight alternative to open web steel joists, engineered wood "eye" joists, cast-in-place or hollow core floor systems. C-Joists come in a variety of depths, flange sizes and steel thicknesses. Depending on loads and spans, C-Joists are typically spaced at 12", 16" or 24" o.c. and will provide economic benefits for spans 10 to 30 feet.

- Precut to exacting sizes and readily available.
- Available in 43 mils (18ga), 54 mils (16ga), 68 mils (14ga), and 97 mils (12ga) and 118 mils (10 ga).
- Flange widths include: 1-5/8", 2", 2-1/2", 3" and 3-1/2".
- Bailey C-Joist Floor Components include, Joists, Rim Joist (Track), Bridging and Web Stiffeners.

The span tables contained in this catalogue were prepared by Dr. Reinhold M. Schuster, P.Eng., Distinguished Professor Emeritus, Department of Civil and Environmental Engineering University of Waterloo.



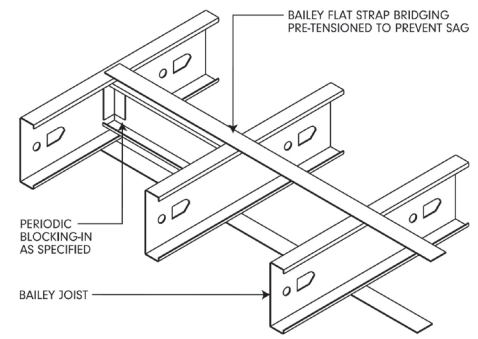


FLOOR JOISTS

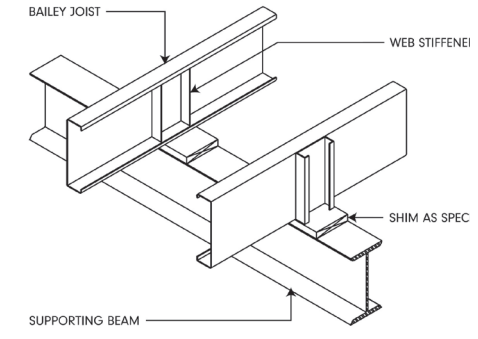
Bailey Lightweight Steel Framing (LSF) Joists offer a wide range of span and load capabilities for commercial and residential floor systems and mezzanines. The use of Bailey LSF Joist Rafter members will provide support for interior drywall ceilings where long clear spans are required.



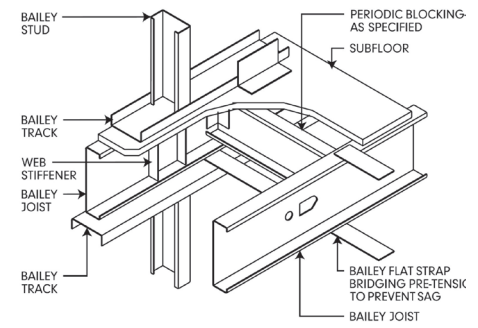
FLOOR JOIST WITH BRIDGING AND BLOCKING



JOISTS CONTINUOUS OVER SUPPORTING BEAM



JOIST PARALLEL TO PERIMETER



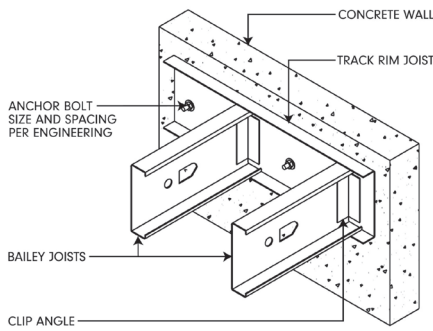


BAILEY

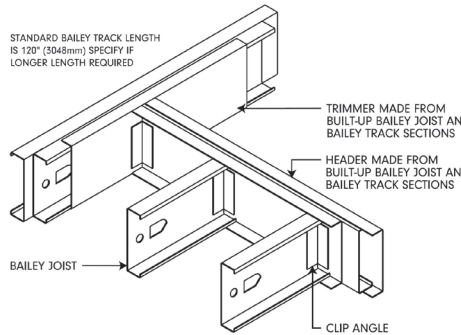
METAL PRODUCTS LIMITED



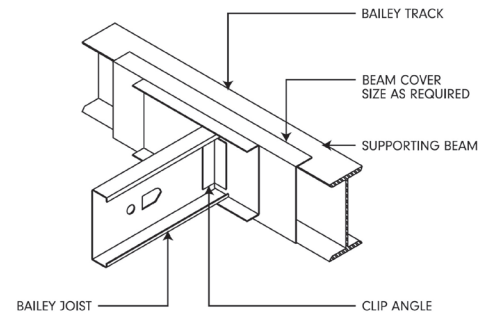
FLOOR MOUNTED INSIDE CONCRETE WALL



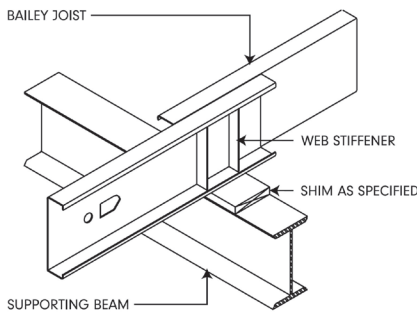
OPENING IN FLOOR



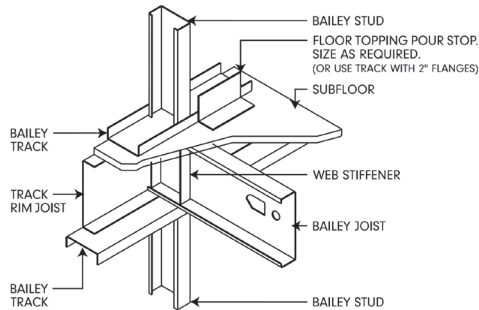
FLUSH CONNECTION TO SUPPORTING BEAM



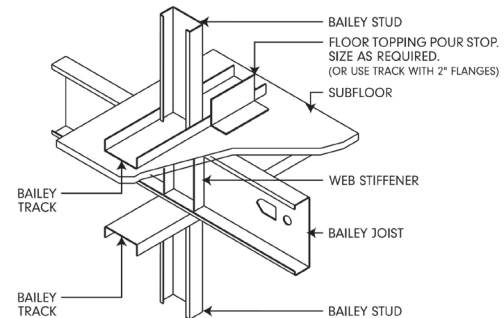
JOISTS OVERLAPPING SUPPORTING BEAM



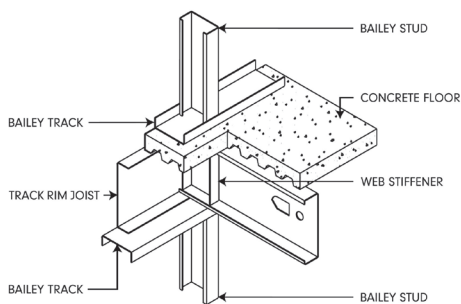
JOIST PERPENDICULAR TO PERIMETER



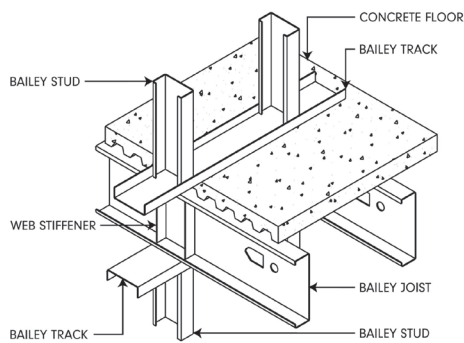
JOIST ABOVE LOADBEARING WALL



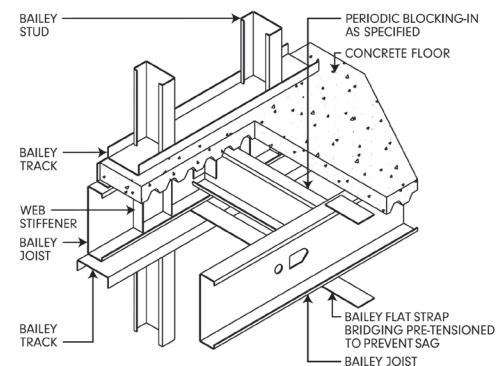
JOIST PERPENDICULAR TO PERIMETER



JOIST ABOVE LOADBEARING WALL



JOIST PARALLEL TO PERIMETER



BAILEY MAXIMUM FLOOR JOIST SPANS (ft)

Joist Member	F _y (ksi)	15 psf Dead Load 40 psf Live Load											
		TL Deflection = L/240, LL Deflection = L/360						TL Deflection = L/240, LL Deflection = L/480					
		SINGLE SPAN			TWO EQUAL SPANS			SINGLE SPAN			TWO EQUAL SPANS		
		Joist Spacing (in.) o.c.			Joist Spacing (in.) o.c.			Joist Spacing (in.) o.c.			Joist Spacing (in.) o.c.		
		12	16	24	12	16	24	12	16	24	12	16	24
600S162-33	33	10' 9"e	9' 3"e	7' 7"e	10' 7"	8' 9"e	6' 7"e	10' 9"e	9' 3"e	7' 7"e	10' 7"	8' 9"e	6' 7"e
600S162-43	33	12' 10"	11' 1"e	9' 1"e	12' 10"	11' 1"	9' 1"e	12' 4"	11' 1"e	9' 1"e	12' 10"	11' 1"	9' 1"e
600S162-54	50	14' 7"	13' 3"	11' 7"	16' 4"	14' 9"	12' 1"	13' 3"	12' 1"	10' 6"	14' 10"	13' 6"	11' 9"
600S162-68	50	15' 8"	14' 2"	12' 4"	17' 7"	16' 0"	14' 0"	14' 2"	12' 10"	11' 3"	16' 0"	14' 6"	12' 8"
600S162-97	50	17' 4"	15' 9"	13' 9"	19' 6"	17' 8"	15' 6"	15' 9"	14' 3"	12' 6"	17' 8"	16' 1"	14' 1"
600S162-118	50	18' 3"	16' 8"	14' 7"	20' 7"	18' 8"	16' 3"	16' 8"	15' 1"	13' 2"	18' 8"	17' 0"	14' 10"
600S200-33	33	11' 6"e	10' 0"e	8' 1"e	10' 10"e	9' 0"e	6' 8"e	11' 6"e	10' 0"e	8' 1"e	10' 10"e	9' 0"e	6' 8"e
600S200-43	33	13' 9"e	11' 10"e	9' 8"e	13' 9"	11' 10"	9' 4"e	13' 0"	11' 9"e	9' 8"e	13' 9"	11' 10"	9' 4"e
600S200-54	50	15' 4"	14' 0"	12' 2"	17' 2"	15' 8"	12' 10"	14' 0"	12' 8"	11' 1"	15' 8"	14' 2"	12' 4"
600S200-68	50	16' 6"	15' 0"	13' 1"	18' 6"	16' 9"	14' 8"	15' 0"	13' 7"	11' 10"	16' 9"	15' 3"	13' 3"
600S200-97	50	18' 3"	16' 7"	14' 6"	20' 6"	18' 8"	16' 3"	16' 7"	15' 1"	13' 2"	18' 8"	17' 0"	14' 9"
600S200-118	50	19' 4"	17' 7"	15' 4"	21' 8"	19' 8"	17' 2"	17' 7"	16' 0"	14' 0"	19' 8"	17' 10"	15' 8"
600S250-43	33	14' 1"e	12' 2"e	10' 0"e	14' 1"	12' 2"	9' 7"e	13' 7"e	12' 2"e	10' 0"e	14' 1"	12' 2"	9' 7"e
600S250-54	50	15' 10"	14' 4"	12' 7"	17' 9"	16' 2"	13' 2"	14' 4"	13' 1"	11' 4"	16' 2"	14' 8"	12' 10"
600S250-68	50	17' 2"	15' 7"	13' 8"	19' 3"	17' 7"	15' 3"	15' 7"	14' 2"	12' 4"	17' 7"	15' 10"	13' 10"
600S250-97	50	19' 2"	17' 6"	15' 3"	21' 7"	19' 7"	17' 1"	17' 6"	15' 10"	13' 10"	19' 7"	17' 9"	15' 7"
600S250-118	50	20' 4"	18' 6"	16' 2"	22' 9"	20' 9"	18' 1"	18' 6"	16' 9"	14' 8"	20' 9"	18' 10"	16' 6"
600S300-54	50	16' 3"	14' 9"	12' 10"	18' 3"	16' 6"	13' 4"	14' 9"	13' 4"	11' 8"	16' 7"	15' 1"	13' 2"
600S300-68	50	17' 8"	16' 1"	14' 0"	19' 10"	18' 0"	15' 8"	16' 1"	14' 7"	12' 9"	18' 0"	16' 4"	14' 3"
600S300-97	50	19' 10"	18' 1"	15' 9"	22' 4"	20' 3"	17' 9"	18' 1"	16' 6"	14' 4"	20' 3"	18' 6"	16' 1"
600S300-118	50	21' 3"	19' 3"	16' 10"	23' 10"	21' 8"	18' 10"	19' 3"	17' 6"	15' 3"	21' 8"	19' 8"	17' 2"
800S162-33	33	12' 4"e	10' 9"e	7' 8"e	10' 1"e	8' 1"e	5' 8"e	12' 4"e	10' 9"e	7' 8"e	10' 1"e	8' 1"e	5' 8"e
800S162-43	33	15' 0"e	13' 0"e	10' 7"e	14' 8"	12' 4"	9' 7"e	15' 0"e	13' 0"e	10' 7"e	14' 8"	12' 4"	9' 7"e
800S162-54	50	18' 3"	16' 7"	14' 1"	20' 0"	17' 3"	14' 1"	16' 7"	15' 1"	13' 2"	18' 7"	16' 10"	14' 1"
800S162-68	50	19' 9"	17' 10"	15' 8"	22' 2"	20' 1"	16' 6"	17' 10"	16' 3"	14' 2"	20' 1"	18' 3"	16' 0"
800S162-97	50	22' 0"	20' 0"	17' 4"	24' 8"	22' 4"	19' 7"	20' 0"	18' 1"	15' 9"	22' 4"	20' 4"	17' 9"
800S162-118	50	23' 3"	21' 1"	18' 6"	26' 1"	23' 8"	20' 8"	21' 1"	19' 2"	16' 9"	23' 8"	21' 6"	18' 9"
800S200-43	33	16' 1"e	13' 10"e	11' 4"e	16' 1"	13' 6"e	10' 3"e	16' 1"e	13' 10"e	11' 4"e	16' 1"	13' 6"e	10' 3"e
800S200-54	50	19' 3"	17' 6"	15' 1"e	21' 4"	18' 6"	15' 1"	17' 6"	15' 10"	13' 10"	19' 8"	17' 10"	15' 1"
800S200-68	50	20' 8"	18' 9"	16' 4"	23' 3"	21' 1"	17' 8"	18' 9"	17' 1"	14' 10"	21' 1"	19' 2"	16' 9"
800S200-97	50	23' 0"	20' 10"	18' 3"	25' 10"	23' 6"	20' 6"	20' 10"	19' 0"	16' 7"	23' 6"	21' 4"	18' 8"
800S200-118	50	24' 4"	22' 2"	19' 4"	27' 4"	24' 10"	21' 8"	22' 2"	20' 2"	17' 7"	24' 10"	22' 7"	19' 9"
800S250-43	33	16' 6"e	14' 3"e	11' 7"e	16' 3"	13' 7"e	10' 4"e	16' 6"e	14' 3"e	11' 7"e	16' 3"	13' 7"e	10' 4"e
800S250-54	50	19' 10"	18' 0"	15' 6"e	21' 10"	19' 0"	15' 6"	18' 0"	16' 4"	14' 3"	20' 3"	18' 4"	15' 6"
800S250-68	50	21' 6"	19' 7"	17' 1"	24' 2"	22' 0"	18' 1"	19' 7"	17' 9"	15' 6"	22' 0"	20' 0"	17' 4"
800S250-97	50	24' 1"	21' 10"	19' 1"	27' 0"	24' 7"	21' 6"	21' 10"	19' 10"	17' 4"	24' 7"	22' 3"	19' 6"
800S250-118	50	25' 6"	23' 2"	20' 3"	28' 8"	26' 0"	22' 9"	23' 2"	21' 1"	18' 4"	26' 0"	23' 8"	20' 8"
800S300-54	50	20' 3"	18' 6"	15' 8"e	22' 2"	19' 2"	15' 6"	18' 6"	16' 9"	14' 7"e	20' 8"	18' 9"	15' 6"
800S300-68	50	22' 1"	20' 1"	17' 6"	24' 9"	22' 6"	18' 4"	20' 1"	18' 2"	15' 10"	22' 6"	20' 6"	17' 10"
800S300-97	50	24' 10"	22' 7"	19' 9"	27' 10"	25' 4"	22' 2"	22' 7"	20' 6"	18' 0"	25' 4"	23' 1"	20' 2"
800S300-118	50	26' 7"	24' 1"	21' 1"	29' 9"	27' 1"	23' 8"	24' 1"	21' 10"	19' 2"	27' 1"	24' 7"	21' 6"
1000S162-33	33	12' 3"e	9' 2"e	6' 1"e	9' 1"e	7' 0"e	4' 9"e	12' 3"e	9' 2"e	6' 1"e	9' 1"e	7' 0"e	4' 9"e
1000S162-43	33	16' 7"e	14' 4"e	11' 9"e	15' 3"e	12' 6"e	9' 3"e	16' 7"e	14' 4"e	11' 9"e	15' 3"e	12' 6"e	9' 3"e
1000S162-54	50	21' 8"	19' 2"	15' 8"e	22' 2"	19' 1"	14' 9"	19' 8"	17' 10"	15' 7"e	22' 1"	19' 1"	14' 9"
1000S162-68	50	23' 6"	21' 4"	18' 6"	26' 2"	22' 8"	18' 6"	21' 4"	19' 4"	17' 0"	24' 0"	21' 9"	18' 6"
1000S162-97	50	26' 6"	24' 0"	21' 0"	29' 8"	27' 0"	23' 7"	24' 0"	21' 9"	19' 1"	27' 0"	24' 6"	21' 4"
1000S162-118	50	28' 0"	25' 6"	22' 3"	31' 6"	28' 7"	25' 0"	25' 6"	23' 1"	20' 2"	28' 7"	26' 0"	22' 8"
1000S200-43	33	18' 0"e	15' 7"e	12' 8"e	15' 10"e	13' 0"e	9' 6"e	18' 0"e	15' 7"e	12' 8"e	15' 10"e	13' 0"e	9' 6"e
1000S200-54	50	22' 8"	20' 7"	16' 10"e	23' 4"	19' 8"	15' 2"	20' 7"	18' 8"	16' 3"e	23' 1"	19' 8"	15' 2"
1000S200-68	50	24' 7"	22' 3"	19' 6"	27' 7"	24' 4"	19' 10"	22' 3"	20' 3"	17' 8"	25' 1"	22' 9"	19' 10"
1000S200-97	50	27' 7"	25' 1"	21' 10"	31' 0"	28' 2"	24' 7"	25' 1"	22' 9"	19' 10"	28' 2"	25' 7"	22' 4"
1000S200-118	50	29' 3"	26' 7"	23' 3"	32' 10"	29' 10"	26' 1"	26' 7"	24' 2"	21' 1"	29' 10"	27' 2"	23' 8"
1000S250-43	33	18' 4"e	15' 10"e	13' 0"e	16' 4"e	13' 3"e	9' 8"e	18' 4"e	15' 10"e	13' 0"e	16' 4"e	13' 3"e	9' 8"e
1000S250-54	50	23' 8"	21' 3"e	17' 4"e	24' 3"	20' 4"	15' 8"	21' 6"	19' 7"	17' 1"e	24' 2"	20' 4"	15' 8"
1000S250-68	50	25' 8"	23' 4"	20' 4"	28' 10"	25' 1"	20' 6"	23' 4"	21' 2"	18' 6"	26' 2"	23' 9"	20' 6"
1000S250-97	50	28' 9"	26' 2"	22' 9"	32' 3"	29' 4"	25' 7"	26' 2"	23' 9"	20' 9"	29' 4"	26' 8"	23' 3"
1000S250-118	50	30' 6"	27' 9"	24' 2"	34' 3"	31' 2"	27' 2"	27' 9"	25' 2"	22' 0"	31' 2"	28' 3"	24' 8"
1000S300-54	50	24' 1"	21' 7"e	17' 7"e	24' 4"	20' 6"	15' 8"	21' 10"	19' 10"	17' 4"e	24' 4"	20' 6"	15' 8"
1000S300-68	50	26' 3"	23' 10"	20' 9"	29' 4"	25' 6"	20' 9"	23' 10"	21' 8"	19' 0"	26' 9"	24' 4"	20' 9"
1000S300-97	50	29' 8"	27' 0"	23' 6"	33' 3"	30' 3"	26' 4"	27' 0"	24' 6"	21' 4"	30' 3"	27' 6"	24' 0"
1000S300-118	50	31' 8"	28' 9"	25' 1"	35' 7"	32' 3"	28' 2"	28' 9"	26' 2"	22' 9"	32' 3"	29' 4"	25' 7"
1000S350-54	50	25' 6"	23' 1"e	19' 3"e	26' 6"	22' 1"	16' 8"	23' 1"	21' 0"e	18' 4"e	26' 0"	22' 1"	16' 8"
1000S350-68	50	27' 9"	25' 3"	22' 1"e	31' 2"	28' 0"	22' 9"	25' 3"	23' 0"	20' 1"	28' 4"	25' 9"	22' 6"
1000S350-97	50	31' 3"	28' 6"	24' 10"	35' 2"	32' 0"	27' 10"	28' 6"	25' 10"	22' 7"	32' 0"	29' 0"	25' 4"
1000S350-118	50	33' 3"	30' 2"	26' 4"	37' 4"	34' 0"	29' 8"	30' 2"	27' 6"	24' 0"	34' 0"	30' 9"	26' 10"

BAILEY MAXIMUM FLOOR JOIST SPANS (ft)

Joist Member	F _y (ksi)	15 psf Dead Load 40 psf Live Load											
		TL Deflection = L/240, LL Deflection = L/360						TL Deflection = L/240, LL Deflection = L/480					
		SINGLE SPAN			TWO EQUAL SPANS			SINGLE SPAN			TWO EQUAL SPANS		
		Joist Spacing (in.) o.c.			Joist Spacing (in.) o.c.			Joist Spacing (in.) o.c.			Joist Spacing (in.) o.c.		
		12	16	24	12	16	24	12	16	24	12	16	24
1200S162-43	33	17' 10"e	15' 6"e	11' 3"e	14' 10"e	11' 10"e	8' 4"e	17' 10"e	15' 6"e	11' 3"e	14' 10"e	11' 10"e	8' 4"e
1200S162-54	50	23' 10"e	20' 8"e	16' 10"e	23' 6"e	19' 4"e	14' 7"e	22' 7"e	20' 7"e	16' 10"e	23' 6"e	19' 4"e	14' 7"e
1200S162-68	50	27' 1"	24' 7"	20' 1"	28' 4"	24' 7"	20' 1"	24' 7"	22' 4"	19' 7"	27' 8"	24' 7"	20' 1"
1200S162-97	50	30' 8"	27' 10"	24' 4"	34' 6"	31' 4"	26' 0"	27' 10"	25' 4"	22' 2"	31' 4"	28' 6"	24' 10"
1200S162-118	50	32' 8"	29' 9"	26' 0"	36' 9"	33' 4"	29' 2"	29' 9"	27' 0"	23' 7"	33' 4"	30' 3"	26' 6"
1200S200-54	50	26' 0"e	22' 6"e	18' 4"e	24' 1"e	19' 10"e	14' 10"e	23' 7"e	21' 6"e	18' 4"e	24' 1"e	19' 10"e	14' 10"e
1200S200-68	50	28' 3"	25' 8"	21' 8"e	30' 8"	26' 7"	21' 3"	25' 8"	23' 3"	20' 4"	28' 9"	26' 2"	21' 3"
1200S200-97	50	32' 0"	29' 1"	25' 4"	36' 0"	32' 8"	27' 10"	29' 1"	26' 4"	23' 1"	32' 8"	29' 8"	25' 10"
1200S200-118	50	34' 1"	31' 0"	27' 1"	38' 3"	34' 9"	30' 4"	31' 0"	28' 2"	24' 7"	34' 9"	31' 7"	27' 7"
1200S250-54	50	26' 7"e	23' 2"e	18' 10"e	24' 6"e	20' 1"e	15' 0"e	24' 2"e	22' 0"e	18' 10"e	24' 6"e	20' 1"e	15' 0"e
1200S250-68	50	29' 3"	26' 7"	22' 4"e	31' 8"	27' 2"	21' 6"	26' 7"	24' 1"	21' 1"e	29' 9"	27' 1"	21' 6"
1200S250-97	50	33' 3"	30' 2"	26' 4"	37' 3"	33' 10"	28' 9"	30' 2"	27' 6"	24' 0"	33' 10"	30' 9"	26' 10"
1200S250-118	50	35' 4"	32' 2"	28' 1"	39' 9"	36' 1"	31' 7"	32' 2"	29' 3"	25' 7"	36' 1"	32' 9"	28' 8"
1200S300-54	50	27' 1"e	23' 6"e	19' 2"e	24' 10"e	20' 6"e	15' 2"e	24' 10"e	22' 7"e	19' 2"e	24' 10"e	20' 6"e	15' 2"e
1200S300-68	50	30' 4"	27' 7"	22' 10"e	32' 3"	28' 0"	22' 3"	27' 7"	25' 1"	21' 10"e	31' 0"	28' 0"	22' 3"
1200S300-97	50	34' 3"	31' 2"	27' 2"	38' 6"	35' 0"	29' 4"	31' 2"	28' 3"	24' 8"	35' 0"	31' 9"	27' 9"
1200S300-118	50	36' 8"	33' 3"	29' 1"	41' 2"	37' 4"	32' 8"	33' 3"	30' 3"	26' 4"	37' 4"	34' 0"	29' 8"
1200S350-54	50	29' 0"e	25' 6"e	20' 10"e	26' 7"e	21' 8"e	15' 9"e	26' 3"e	23' 10"e	20' 10"e	26' 7"e	21' 8"e	15' 9"e
1200S350-68	50	32' 1"	29' 2"	24' 10"e	35' 2"	30' 4"	24' 0"	29' 2"	26' 6"	23' 2"e	32' 9"	29' 9"	24' 0"
1200S350-97	50	36' 2"	32' 10"	28' 8"	40' 7"	36' 10"	32' 2"	32' 10"	29' 9"	26' 1"	36' 10"	33' 6"	29' 3"
1200S350-118	50	38' 4"	34' 10"	30' 6"	43' 2"	39' 2"	34' 2"	34' 10"	31' 8"	27' 8"	39' 2"	35' 7"	31' 1"
1400S162-54	50	25' 3"e	21' 10"e	17' 10"e	23' 6"e	19' 0"e	13' 8"e	25' 3"e	21' 10"e	17' 10"e	23' 6"e	19' 0"e	13' 8"e
1400S162-68	50	30' 2"	26' 1"	21' 3"e	30' 2"	26' 1"	20' 10"	27' 9"	25' 2"	21' 3"e	30' 2"	26' 1"	20' 10"
1400S162-97	50	34' 9"	31' 7"	27' 7"	39' 1"	34' 1"	27' 9"	31' 7"	28' 8"	25' 1"	35' 6"	32' 3"	27' 9"
1400S162-118	50	37' 3"	33' 10"	29' 7"	41' 10"	38' 1"	32' 2"	33' 10"	30' 9"	26' 10"	38' 1"	34' 7"	30' 2"
1400S200-54	50	27' 7"e	23' 10"e	19' 1"e	24' 0"e	19' 4"e	13' 10"e	26' 6"e	23' 10"e	19' 1"e	24' 0"e	19' 4"e	13' 10"e
1400S200-68	50	31' 9"	28' 4"	23' 2"e	32' 9"	28' 2"	21' 8"	28' 10"	26' 3"	23' 0"e	32' 6"	28' 2"	21' 8"
1400S200-97	50	36' 2"	32' 10"	28' 8"	40' 7"	36' 9"	30' 0"	32' 10"	29' 10"	26' 1"	36' 10"	33' 6"	29' 3"
1400S200-118	50	38' 9"	35' 2"	30' 9"	43' 6"	39' 6"	34' 6"	35' 2"	32' 0"	28' 0"	39' 6"	35' 10"	31' 4"
1400S250-54	50	28' 6"e	24' 8"e	19' 1"e	24' 2"e	19' 6"e	14' 0"e	27' 1"e	24' 7"e	19' 1"e	24' 2"e	19' 6"e	14' 0"e
1400S250-68	50	32' 10"	29' 6"	24' 1"e	33' 7"	28' 3"	21' 9"	29' 10"	27' 1"	23' 8"e	33' 6"	28' 3"	21' 9"
1400S250-97	50	37' 6"	34' 1"	29' 9"	42' 1"	38' 2"	31' 2"	34' 1"	31' 0"	27' 0"	38' 3"	34' 9"	30' 4"
1400S250-118	50	40' 2"	36' 6"	31' 10"	45' 1"	41' 0"	35' 9"	36' 6"	33' 2"	29' 0"	41' 0"	37' 2"	32' 6"
1400S300-54	50	28' 10"e	25' 0"e	19' 1"e	24' 4"e	19' 7"e	14' 0"e	27' 7"e	25' 0"e	19' 1"e	24' 4"e	19' 7"e	14' 0"e
1400S300-68	50	33' 6"	30' 1"	24' 6"e	34' 0"	28' 7"	22' 0"	30' 4"	27' 7"	24' 1"e	34' 0"	28' 7"	22' 0"
1400S300-97	50	38' 6"	35' 0"	30' 7"	43' 2"	39' 1"	31' 10"	35' 0"	31' 9"	27' 9"	39' 3"	35' 8"	31' 2"
1400S300-118	50	41' 6"	37' 8"	32' 10"	46' 7"	42' 3"	36' 9"	37' 8"	34' 2"	29' 10"	42' 3"	38' 4"	33' 7"
1400S350-54	50	31' 2"e	27' 0"e	19' 1"e	25' 9"e	20' 6"e	14' 4"e	29' 4"e	26' 8"e	19' 1"e	25' 9"e	20' 6"e	14' 4"e
1400S350-68	50	36' 1"	32' 4"e	26' 6"e	37' 6"	31' 4"	23' 9"	32' 9"	29' 9"	26' 0"e	36' 9"	31' 4"	23' 9"
1400S350-97	50	40' 10"	37' 1"	32' 4"	45' 10"	41' 8"	34' 8"	37' 1"	33' 8"	29' 6"	41' 8"	37' 10"	33' 1"
1400S350-118	50	43' 6"	39' 6"	34' 6"	48' 9"	44' 3"	38' 8"	39' 6"	35' 10"	31' 3"	44' 3"	40' 3"	35' 2"
1600S162-68	50	31' 7"e	27' 4"e	22' 4"e	31' 7"e	27' 4"e	20' 9"e	30' 9"e	27' 4"e	22' 4"e	31' 7"e	27' 4"e	20' 9"e
1600S162-97	50	38' 8"	35' 2"	29' 4"	41' 6"	36' 0"	29' 4"	35' 2"	32' 0"	27' 10"	39' 6"	35' 10"	29' 4"
1600S162-118	50	41' 7"	37' 9"	33' 0"	46' 8"	41' 9"	34' 1"	37' 9"	34' 4"	30' 0"	42' 6"	38' 7"	33' 8"
1600S200-68	50	34' 6"e	29' 10"e	24' 4"e	34' 4"e	28' 6"e	21' 6"e	32' 0"e	29' 1"e	24' 4"e	34' 4"e	28' 6"e	21' 6"e
1600S200-97	50	40' 2"	36' 6"	31' 9"	45' 0"	39' 0"	31' 9"	36' 6"	33' 2"	29' 0"	41' 0"	37' 3"	31' 9"
1600S200-118	50	43' 2"	39' 2"	34' 3"	48' 6"	44' 0"	36' 9"	39' 2"	35' 7"	31' 1"	44' 0"	40' 0"	34' 10"
1600S250-68	50	36' 0"e	31' 2"e	25' 4"e	34' 6"e	28' 7"e	21' 6"e	33' 0"e	30' 0"e	25' 4"e	34' 6"e	28' 7"e	21' 6"e
1600S250-97	50	41' 7"	37' 9"	33' 0"	46' 8"	40' 7"	33' 2"	37' 9"	34' 3"	30' 0"	42' 4"	38' 7"	33' 2"
1600S250-118	50	44' 8"	40' 7"	35' 4"	50' 1"	45' 6"	38' 4"	40' 7"	36' 10"	32' 2"	45' 6"	41' 4"	36' 1"
1600S300-68	50	36' 7"e	31' 8"e	25' 10"e	34' 10"e	28' 10"e	21' 8"e	33' 7"e	30' 6"e	25' 10"e	34' 10"e	28' 10"e	21' 8"e
1600S300-97	50	42' 8"	38' 9"	33' 10"	47' 10"	41' 8"	34' 1"	38' 9"	35' 2"	30' 9"	43' 6"	39' 6"	34' 1"
1600S300-118	50	46' 0"	41' 9"	36' 6"	51' 8"	47' 0"	39' 6"	41' 9"	38' 0"	33' 2"	47' 0"	42' 8"	37' 3"
1600S350-68	50	39' 2"e	34' 0"e	27' 9"e	37' 6"e	30' 9"e	22' 9"e	35' 7"e	32' 4"e	27' 9"e	37' 6"e	30' 9"e	22' 9"e
1600S350-97	50	44' 10"	40' 9"	35' 7"	50' 4"	45' 1"	36' 10"	40' 9"	37' 1"	32' 4"	45' 9"	41' 7"	36' 3"
1600S350-118	50	48' 1"	43' 8"	38' 2"	54' 0"	49' 1"	42' 10"	43' 8"	39' 8"	34' 8"	49' 1"	44' 7"	39' 0"

GENERAL NOTES:

- Spans are based on continuous lateral support of the compression flange over the full joist length.
- Tension flange must be laterally braced at a maximum spacing of 8'-0".
- Joists must be braced against rotation at all supports.
- Distortional buckling calculations are based on K_φ = 0.
- For two equal spans, the listed span is the distance from either end to the continuous centre support.
- End web crippling check is based on 3.5" end bearing. Where listed spans are followed by "e", web stiffeners are required at end supports.
- Web stiffeners are required at interior supports.
- Total load (TL) deflection is based on L/240 and live load (LL) deflection is based on either L/360 or L/480.

BAILEY MAXIMUM FLOOR JOIST SPANS (ft)

Joist Member	F _y (ksi)	25 psf Dead Load 40 psf Live Load											
		TL Deflection = L/240, LL Deflection = L/360						TL Deflection = L/240, LL Deflection = L/480					
		SINGLE SPAN			TWO EQUAL SPANS			SINGLE SPAN			TWO EQUAL SPANS		
		Joist Spacing (in.) o.c.			Joist Spacing (in.) o.c.			Joist Spacing (in.) o.c.			Joist Spacing (in.) o.c.		
		12	16	24	12	16	24	12	16	24	12	16	24
600S162-33	33	10' 0"e	8' 8"e	7' 1"e	9' 7"e	7' 10"e	5' 10"e	10' 0"e	8' 8"e	7' 1"e	9' 7"e	7' 10"e	5' 10"e
600S162-43	33	11' 10"e	10' 3"e	8' 4"e	11' 10"	10' 3"	8' 4"e	11' 10"e	10' 3"e	8' 4"e	11' 10"	10' 3"	8' 4"e
600S162-54	50	14' 2"	12' 10"	11' 2"	15' 10"	13' 9"	11' 2"	13' 3"	12' 1"	10' 6"	14' 10"	13' 6"	11' 2"
600S162-68	50	15' 3"	13' 10"	12' 1"	17' 7"	16' 0"	13' 1"	14' 2"	12' 10"	11' 3"	16' 0"	14' 6"	12' 8"
600S162-97	50	16' 10"	15' 4"	13' 4"	19' 6"	17' 8"	15' 6"	15' 9"	14' 3"	12' 6"	17' 8"	16' 1"	14' 1"
600S162-118	50	17' 10"	16' 2"	14' 2"	20' 7"	18' 8"	16' 3"	16' 8"	15' 1"	13' 2"	18' 8"	17' 0"	14' 10"
600S200-33	33	10' 8"e	9' 3"e	7' 7"e	9' 10"e	8' 1"e	6' 0"e	10' 8"e	9' 3"e	7' 7"e	9' 10"e	8' 1"e	6' 0"e
600S200-43	33	12' 9"e	11' 1"e	9' 0"e	12' 9"	11' 0"	8' 7"e	12' 9"e	11' 1"e	9' 0"e	12' 9"	11' 0"	8' 7"e
600S200-54	50	15' 0"	13' 7"	11' 10"	17' 0"	14' 8"	11' 9"	14' 0"	12' 8"	11' 1"	15' 8"	14' 2"	11' 9"
600S200-68	50	16' 1"	14' 7"	12' 8"	18' 6"	16' 9"	14' 0"	15' 0"	13' 7"	11' 10"	16' 9"	15' 3"	13' 3"
600S200-97	50	17' 9"	16' 2"	14' 1"	20' 6"	18' 8"	16' 3"	16' 7"	15' 1"	13' 2"	18' 8"	17' 0"	14' 9"
600S200-118	50	18' 10"	17' 1"	15' 0"	21' 8"	19' 8"	17' 2"	17' 7"	16' 0"	14' 0"	19' 8"	17' 10"	15' 8"
600S250-43	33	13' 1"e	11' 4"e	9' 3"e	13' 1"	11' 2"	8' 9"e	13' 1"e	11' 4"e	9' 3"e	13' 1"	11' 2"	8' 9"e
600S250-54	50	15' 6"	14' 0"	12' 3"	17' 4"	15' 1"	12' 1"	14' 4"	13' 1"	11' 4"	16' 2"	14' 8"	12' 1"
600S250-68	50	16' 9"	15' 2"	13' 3"	19' 3"	17' 7"	14' 3"	15' 7"	14' 2"	12' 4"	17' 7"	15' 10"	13' 10"
600S250-97	50	18' 8"	17' 0"	14' 10"	21' 7"	19' 7"	17' 1"	17' 6"	15' 10"	13' 10"	19' 7"	17' 9"	15' 7"
600S250-118	50	19' 9"	18' 0"	15' 8"	22' 9"	20' 9"	18' 1"	18' 6"	16' 9"	14' 8"	20' 9"	18' 10"	16' 6"
600S300-54	50	15' 9"	14' 4"	12' 6"	17' 8"	15' 3"	12' 3"	14' 9"	13' 4"	11' 8"	16' 7"	15' 1"	12' 3"
600S300-68	50	17' 2"	15' 7"	13' 8"	19' 10"	17' 10"	14' 7"	16' 1"	14' 7"	12' 9"	18' 0"	16' 4"	14' 3"
600S300-97	50	19' 4"	17' 7"	15' 4"	22' 4"	20' 3"	17' 9"	18' 1"	16' 6"	14' 4"	20' 3"	18' 6"	16' 1"
600S300-118	50	20' 8"	18' 9"	16' 4"	23' 10"	21' 8"	18' 10"	19' 3"	17' 6"	15' 3"	21' 8"	19' 8"	17' 2"
800S162-33	33	11' 7"e	10' 0"e	6' 7"e	9' 0"e	7' 2"e	5' 0"e	11' 7"e	10' 0"e	6' 7"e	9' 0"e	7' 2"e	5' 0"e
800S162-43	33	13' 10"e	12' 0"e	9' 9"e	13' 6"	11' 3"e	8' 8"e	13' 10"e	12' 0"e	9' 9"e	13' 6"	11' 3"e	8' 8"e
800S162-54	50	17' 9"	16' 1"	13' 1"e	18' 7"	16' 1"	13' 0"	16' 7"	15' 1"	13' 1"e	18' 7"	16' 1"	13' 0"
800S162-68	50	19' 2"	17' 6"	15' 3"	21' 8"	18' 9"	15' 4"	17' 10"	16' 3"	14' 2"	20' 1"	18' 3"	15' 4"
800S162-97	50	21' 4"	19' 4"	17' 0"	24' 8"	22' 4"	19' 4"	20' 0"	18' 1"	15' 9"	22' 4"	20' 4"	17' 9"
800S162-118	50	22' 7"	20' 7"	18' 0"	26' 1"	23' 8"	20' 8"	21' 1"	19' 2"	16' 9"	23' 8"	21' 6"	18' 9"
800S200-43	33	14' 10"e	12' 10"e	10' 7"e	14' 9"e	12' 3"e	9' 3"e	14' 10"e	12' 10"e	10' 7"e	14' 9"e	12' 3"e	9' 3"e
800S200-54	50	18' 9"	17' 1"	14' 1"e	19' 10"	17' 2"	14' 0"	17' 6"	15' 10"	13' 10"e	19' 8"	17' 2"	14' 0"
800S200-68	50	20' 2"	18' 3"	16' 0"	23' 2"	20' 1"	16' 4"	18' 9"	17' 1"	14' 10"	21' 1"	19' 2"	16' 4"
800S200-97	50	22' 4"	20' 4"	17' 9"	25' 10"	23' 6"	20' 6"	20' 10"	19' 0"	16' 7"	23' 6"	21' 4"	18' 8"
800S200-118	50	23' 9"	21' 7"	18' 10"	27' 4"	24' 10"	21' 8"	22' 2"	20' 2"	17' 7"	24' 10"	22' 7"	19' 9"
800S250-43	33	15' 3"e	13' 2"e	10' 9"e	14' 10"e	12' 4"e	9' 3"e	15' 3"e	13' 2"e	10' 9"e	14' 10"e	12' 4"e	9' 3"e
800S250-54	50	19' 3"	17' 7"	14' 4"e	20' 4"	17' 7"	14' 1"	18' 0"	16' 4"	14' 3"e	20' 3"	17' 7"	14' 1"
800S250-68	50	21' 0"	19' 1"	16' 7"	23' 9"	20' 7"	16' 10"	19' 7"	17' 9"	15' 6"	22' 0"	20' 0"	16' 10"
800S250-97	50	23' 6"	21' 3"	18' 7"	27' 0"	24' 7"	21' 3"	21' 10"	19' 10"	17' 4"	24' 7"	22' 3"	19' 6"
800S250-118	50	24' 10"	22' 7"	19' 8"	28' 8"	26' 0"	22' 9"	23' 2"	21' 1"	18' 4"	26' 0"	23' 8"	20' 8"
800S300-54	50	19' 9"	17' 10"	14' 7"e	20' 7"	17' 10"	14' 2"	18' 6"	16' 9"	14' 7"e	20' 7"	17' 10"	14' 2"
800S300-68	50	21' 6"	19' 6"	17' 1"	24' 2"	21' 0"	17' 1"	20' 1"	18' 2"	15' 10"	22' 6"	20' 6"	17' 1"
800S300-97	50	24' 2"	22' 0"	19' 2"	27' 10"	25' 4"	21' 9"	22' 7"	20' 6"	18' 0"	25' 4"	23' 1"	20' 2"
800S300-118	50	25' 10"	23' 6"	20' 6"	29' 9"	27' 1"	23' 8"	24' 1"	21' 10"	19' 2"	27' 1"	24' 7"	21' 6"
1000S162-33	33	10' 7"e	7' 10"e	5' 3"e	8' 0"e	6' 1"e	4' 2"e	10' 7"e	7' 10"e	5' 3"e	8' 0"e	6' 1"e	4' 2"e
1000S162-43	33	15' 4"e	13' 4"e	10' 10"e	13' 9"e	11' 3"e	8' 2"e	15' 4"e	13' 4"e	10' 10"e	13' 9"e	11' 3"e	8' 2"e
1000S162-54	50	20' 7"	17' 10"	14' 7"e	20' 7"	17' 4"	13' 4"	19' 8"	17' 10"	14' 7"e	20' 7"	17' 4"	13' 4"
1000S162-68	50	22' 10"	20' 9"	17' 2"	24' 3"	21' 1"	17' 2"	21' 4"	19' 4"	17' 0"	24' 0"	21' 1"	17' 2"
1000S162-97	50	25' 9"	23' 4"	20' 6"	29' 8"	26' 10"	22' 0"	24' 0"	21' 9"	19' 1"	27' 0"	24' 6"	21' 4"
1000S162-118	50	27' 3"	24' 9"	21' 8"	31' 6"	28' 7"	25' 0"	25' 6"	23' 1"	20' 2"	28' 7"	26' 0"	22' 8"
1000S200-43	33	16' 8"e	14' 6"e	11' 8"e	14' 3"e	11' 7"e	8' 4"e	16' 8"e	14' 6"e	11' 8"e	14' 3"e	11' 7"e	8' 4"e
1000S200-54	50	22' 1"	19' 3"e	15' 8"e	21' 4"	18' 0"	13' 9"	20' 7"	18' 8"e	15' 8"e	21' 4"	18' 0"	13' 9"
1000S200-68	50	23' 10"	21' 8"	18' 6"e	26' 1"	22' 7"	18' 6"	22' 3"	20' 3"	17' 8"	25' 1"	22' 7"	18' 6"
1000S200-97	50	26' 10"	24' 6"	21' 4"	31' 0"	28' 2"	23' 6"	25' 1"	22' 9"	19' 10"	28' 2"	25' 7"	22' 4"
1000S200-118	50	28' 6"	25' 10"	22' 8"	32' 10"	29' 10"	26' 1"	26' 7"	24' 2"	21' 1"	29' 10"	27' 2"	23' 8"
1000S250-43	33	17' 1"e	14' 9"e	11' 8"e	14' 8"e	11' 10"e	8' 6"e	17' 1"e	14' 9"e	11' 8"e	14' 8"e	11' 10"e	8' 6"e
1000S250-54	50	22' 10"	19' 9"e	16' 2"e	22' 3"	18' 7"	14' 2"	21' 6"	19' 7"e	16' 2"e	22' 3"	18' 7"	14' 2"
1000S250-68	50	25' 0"	22' 8"	19' 0"e	26' 10"	23' 3"	19' 0"	23' 4"	21' 2"	18' 6"e	26' 2"	23' 3"	19' 0"
1000S250-97	50	28' 0"	25' 6"	22' 2"	32' 3"	29' 4"	24' 2"	26' 2"	23' 9"	20' 9"	29' 4"	26' 8"	23' 3"
1000S250-118	50	29' 8"	27' 0"	23' 7"	34' 3"	31' 2"	27' 2"	27' 9"	25' 2"	22' 0"	31' 2"	28' 3"	24' 8"
1000S300-54	50	23' 1"	20' 0"e	16' 3"e	22' 4"	18' 8"	14' 2"	21' 10"	19' 10"e	16' 3"e	22' 4"	18' 8"	14' 2"
1000S300-68	50	25' 7"	23' 3"	19' 3"e	27' 3"	23' 8"	19' 3"	23' 10"	21' 8"	19' 0"e	26' 9"	23' 8"	19' 3"
1000S300-97	50	28' 10"	26' 2"	22' 10"	33' 3"	30' 3"	24' 8"	27' 0"	24' 6"	21' 4"	30' 3"	27' 6"	24' 0"
1000S300-118	50	30' 9"	28' 0"	24' 6"	35' 7"	32' 3"	28' 2"	28' 9"	26' 2"	22' 9"	32' 3"	29' 4"	25' 7"
1000S350-54	50	24' 9"e	22' 0"e	17' 10"e	24' 1"	20' 0"	15' 0"	23' 1"	21' 0"e	17' 10"e	24' 1"	20' 0"	15' 0"
1000S350-68	50	27' 1"	24' 7"	21' 2"e	30' 0"	26' 0"	21' 2"	25' 3"	23' 0"	20' 1"e	28' 4"	25' 9"	21' 2"
1000S350-97	50	30' 6"	27' 8"	24' 2"	33' 2"	32' 0"	27' 2"	28' 6"	25' 10"	22' 7"	32' 0"	29' 0"	25' 4"
1000S350-118	50	32' 4"	29' 6"	25' 8"	37' 4"	34' 0"	29' 8"	30' 2"	27' 6"	24' 0"	34' 0"	30' 9"	26' 10"

BAILEY MAXIMUM FLOOR JOIST SPANS (ft)

Joist Member	F _y (ksi)	25 psf Dead Load 40 psf Live Load											
		TL Deflection = L/240, LL Deflection = L/360						TL Deflection = L/240, LL Deflection = L/480					
		SINGLE SPAN			TWO EQUAL SPANS			SINGLE SPAN			TWO EQUAL SPANS		
		Joist Spacing (in.) o.c.			Joist Spacing (in.) o.c.			Joist Spacing (in.) o.c.			Joist Spacing (in.) o.c.		
		12	16	24	12	16	24	12	16	24	12	16	24
1200S162-43	33	16' 7"e	14' 4"e	9' 8"e	13' 3"e	10' 6"e	7' 4"e	16' 7"e	14' 4"e	9' 8"e	13' 3"e	10' 6"e	7' 4"e
1200S162-54	50	22' 2"e	19' 3"e	15' 8"e	21' 3"e	17' 7"e	13' 0"e	22' 2"e	19' 3"e	15' 8"e	21' 3"e	17' 7"e	13' 0"e
1200S162-68	50	26' 4"	22' 9"	18' 8"e	26' 4"	22' 9"	18' 8"	24' 7"	22' 4"	18' 8"e	26' 4"	22' 9"	18' 8"
1200S162-97	50	29' 10"	27' 2"	23' 9"	34' 1"	29' 6"	24' 1"	27' 10"	25' 4"	22' 2"	31' 4"	28' 6"	24' 1"
1200S162-118	50	31' 10"	29' 0"	25' 3"	36' 9"	33' 4"	27' 8"	29' 9"	27' 0"	23' 7"	33' 4"	30' 3"	26' 6"
1200S200-54	50	24' 1"e	20' 10"e	17' 1"e	21' 10"e	18' 0"e	13' 2"e	23' 7"e	20' 10"e	17' 1"e	21' 10"e	18' 0"e	13' 2"e
1200S200-68	50	27' 6"	24' 8"	20' 2"e	28' 6"	24' 8"	19' 6"	25' 8"	23' 3"	20' 2"e	28' 6"	24' 8"	19' 6"
1200S200-97	50	31' 2"	28' 3"	24' 9"	36' 0"	31' 8"	25' 10"	29' 1"	26' 4"	23' 1"	32' 8"	29' 8"	25' 10"
1200S200-118	50	33' 2"	30' 2"	26' 4"	38' 3"	34' 9"	29' 8"	31' 0"	28' 2"	24' 7"	34' 9"	31' 7"	27' 7"
1200S250-54	50	24' 10"e	21' 7"e	17' 7"e	22' 2"e	18' 2"e	13' 3"e	24' 2"e	21' 7"e	17' 7"e	22' 2"e	18' 2"e	13' 3"e
1200S250-68	50	28' 6"	25' 6"	20' 9"e	29' 6"	25' 0"	19' 7"	26' 7"	24' 1"	20' 9"e	29' 6"	25' 0"	19' 7"
1200S250-97	50	32' 4"	29' 4"	25' 8"	37' 3"	32' 9"	26' 9"	30' 2"	27' 6"	24' 0"	33' 10"	30' 9"	26' 9"
1200S250-118	50	34' 6"	31' 3"	27' 4"	39' 9"	36' 1"	30' 8"	32' 2"	29' 3"	25' 7"	36' 1"	32' 9"	28' 8"
1200S300-54	50	25' 2"e	21' 9"e	17' 9"e	22' 7"e	18' 4"e	13' 6"e	24' 10"e	21' 9"e	17' 9"e	22' 7"e	18' 4"e	13' 6"e
1200S300-68	50	29' 7"	26' 0"	21' 2"e	30' 0"	26' 0"	20' 3"	27' 7"	25' 1"	21' 2"e	30' 0"	26' 0"	20' 3"
1200S300-97	50	33' 4"	30' 4"	26' 6"	38' 6"	33' 6"	27' 3"	31' 2"	28' 3"	24' 8"	35' 0"	31' 9"	27' 3"
1200S300-118	50	35' 8"	32' 4"	28' 3"	41' 2"	37' 4"	31' 4"	33' 3"	30' 3"	26' 4"	37' 4"	34' 0"	29' 8"
1200S350-54	50	27' 4"e	23' 8"e	19' 3"e	24' 0"e	19' 4"e	14' 0"e	26' 3"e	23' 8"e	19' 3"e	24' 0"e	19' 4"e	14' 0"e
1200S350-68	50	31' 3"	28' 3"e	23' 1"e	32' 8"	28' 2"	21' 9"	29' 2"	26' 6"	23' 1"e	32' 8"	28' 2"	21' 9"
1200S350-97	50	35' 2"	32' 0"	27' 10"	40' 7"	36' 8"	29' 10"	32' 10"	29' 9"	26' 1"	36' 10"	33' 6"	29' 3"
1200S350-118	50	37' 4"	34' 0"	29' 8"	43' 2"	39' 2"	34' 2"	34' 10"	31' 8"	27' 8"	39' 2"	35' 7"	31' 1"
1400S162-54	50	23' 6"e	20' 3"e	16' 6"e	21' 1"e	17' 0"e	12' 1"e	23' 6"e	20' 3"e	16' 6"e	21' 1"e	17' 0"e	12' 1"e
1400S162-68	50	28' 0"	24' 3"	19' 9"e	28' 0"	24' 3"	19' 0"	27' 9"	24' 3"	19' 9"e	28' 0"	24' 3"	19' 0"
1400S162-97	50	33' 10"	30' 9"	25' 9"	36' 6"	31' 8"	25' 9"	31' 7"	28' 8"	25' 1"	35' 6"	31' 8"	25' 9"
1400S162-118	50	36' 3"	33' 0"	28' 9"	41' 10"	36' 7"	29' 10"	33' 10"	30' 9"	26' 10"	38' 1"	34' 7"	29' 10"
1400S200-54	50	25' 8"e	22' 2"e	16' 6"e	21' 6"e	17' 2"e	12' 2"e	25' 8"e	22' 2"e	16' 6"e	21' 6"e	17' 2"e	12' 2"e
1400S200-68	50	30' 4"	26' 4"e	21' 6"e	30' 4"	25' 8"	19' 8"	28' 10"	26' 3"e	21' 6"e	30' 4"	25' 8"	19' 8"
1400S200-97	50	35' 2"	32' 0"	27' 10"	39' 4"	34' 2"	27' 10"	32' 10"	29' 10"	26' 1"	36' 10"	33' 6"	27' 10"
1400S200-118	50	37' 8"	34' 3"	30' 0"	43' 6"	39' 4"	32' 1"	35' 2"	32' 0"	28' 0"	39' 6"	35' 10"	31' 4"
1400S250-54	50	26' 6"e	22' 10"e	16' 6"e	21' 8"e	17' 3"e	12' 3"e	26' 6"e	22' 10"e	16' 6"e	21' 8"e	17' 3"e	12' 3"e
1400S250-68	50	31' 7"	27' 4"e	22' 4"e	30' 9"	25' 9"	19' 8"	29' 10"	27' 1"e	22' 4"e	30' 9"	25' 9"	19' 8"
1400S250-97	50	36' 6"	33' 2"	28' 10"	40' 10"	35' 6"	28' 10"	34' 1"	31' 0"	27' 0"	38' 3"	34' 9"	28' 10"
1400S250-118	50	39' 1"	35' 6"	31' 0"	45' 1"	40' 10"	33' 4"	36' 6"	33' 2"	29' 0"	41' 0"	37' 2"	32' 6"
1400S300-54	50	26' 9"e	23' 2"e	16' 6"e	21' 9"e	17' 4"e	12' 3"e	26' 9"e	23' 2"e	16' 6"e	21' 9"e	17' 4"e	12' 3"e
1400S300-68	50	32' 2"	27' 10"e	22' 9"e	31' 2"	26' 1"	19' 10"	30' 4"	27' 7"e	22' 9"e	31' 2"	26' 1"	19' 10"
1400S300-97	50	37' 6"	34' 1"	29' 7"	41' 10"	36' 3"	29' 7"	35' 0"	31' 9"	27' 9"	39' 3"	35' 8"	29' 7"
1400S300-118	50	40' 4"	36' 8"	32' 0"	46' 7"	41' 10"	34' 2"	37' 8"	34' 2"	29' 10"	42' 3"	38' 4"	33' 7"
1400S350-54	50	29' 0"e	24' 9"e	16' 6"e	23' 0"e	18' 1"e	12' 7"e	29' 0"e	24' 9"e	16' 6"e	23' 0"e	18' 1"e	12' 7"e
1400S350-68	50	34' 9"e	30' 1"e	24' 7"e	34' 4"	28' 6"	21' 4"	32' 9"	29' 9"e	24' 7"e	34' 4"	28' 6"	21' 4"
1400S350-97	50	39' 9"	36' 2"	31' 7"	45' 7"	39' 6"	32' 3"	37' 1"	33' 8"	29' 6"	41' 8"	37' 10"	32' 3"
1400S350-118	50	42' 3"	38' 6"	33' 7"	48' 9"	44' 3"	37' 3"	39' 6"	35' 10"	31' 3"	44' 3"	40' 3"	35' 2"
1600S162-68	50	29' 4"e	25' 4"e	20' 9"e	29' 4"e	24' 10"e	18' 8"e	29' 4"e	25' 4"e	20' 9"e	29' 4"e	24' 10"e	18' 8"e
1600S162-97	50	37' 8"	33' 4"	27' 3"	38' 7"	33' 4"	27' 3"	35' 2"	32' 0"	27' 3"	38' 7"	33' 4"	27' 3"
1600S162-118	50	40' 6"	36' 9"	31' 8"	44' 9"	38' 9"	31' 8"	37' 9"	34' 4"	30' 0"	42' 6"	38' 7"	31' 8"
1600S200-68	50	32' 0"e	27' 8"e	22' 8"e	31' 3"e	25' 9"e	19' 2"e	32' 0"e	27' 8"e	22' 8"e	31' 3"e	25' 9"e	19' 2"e
1600S200-97	50	39' 1"	35' 7"	29' 7"	41' 9"	36' 2"	29' 7"	36' 6"	33' 2"	29' 0"	41' 0"	36' 2"	29' 7"
1600S200-118	50	42' 0"	38' 2"	33' 4"	48' 4"	41' 10"	34' 2"	39' 2"	35' 7"	31' 1"	44' 0"	40' 0"	34' 2"
1600S250-68	50	33' 4"e	28' 10"e	23' 7"e	31' 4"e	25' 10"e	19' 3"e	33' 0"e	28' 10"e	23' 7"e	31' 4"e	25' 10"e	19' 3"e
1600S250-97	50	40' 6"	36' 9"	30' 9"	43' 7"	37' 8"	30' 9"	37' 9"	34' 3"	30' 0"	42' 4"	37' 8"	30' 9"
1600S250-118	50	43' 6"	39' 6"	34' 6"	50' 1"	43' 8"	35' 8"	40' 7"	36' 10"	32' 2"	45' 6"	41' 4"	35' 8"
1600S300-68	50	34' 0"e	29' 6"e	24' 1"e	31' 8"e	26' 1"e	19' 4"e	33' 7"e	29' 6"e	24' 1"e	31' 8"e	26' 1"e	19' 4"e
1600S300-97	50	41' 6"	37' 8"	31' 8"	44' 9"	38' 9"	31' 8"	38' 9"	35' 2"	30' 9"	43' 6"	38' 9"	31' 8"
1600S300-118	50	44' 9"	40' 8"	35' 7"	51' 8"	44' 10"	36' 8"	41' 9"	38' 0"	33' 2"	47' 0"	42' 8"	36' 8"
1600S350-68	50	36' 6"e	31' 7"e	25' 9"e	34' 0"e	27' 8"e	20' 3"e	35' 7"e	31' 7"e	25' 9"e	34' 0"e	27' 8"e	20' 3"e
1600S350-97	50	43' 8"	39' 8"	34' 2"e	48' 4"	41' 10"	34' 2"	40' 9"	37' 1"	32' 4"	45' 9"	41' 7"	34' 2"
1600S350-118	50	46' 10"	42' 7"	37' 2"	54' 0"	48' 9"	39' 10"	43' 8"	39' 8"	34' 8"	49' 1"	44' 7"	39' 0"

GENERAL NOTES:

- Spans are based on continuous lateral support of the compression flange over the full joist length.
- Tension flange must be laterally braced at a maximum spacing of 8'-0".
- Joists must be braced against rotation at all supports.
- Distortional buckling calculations are based on K_φ = 0.
- For two equal spans, the listed span is the distance from either end to the continuous centre support.
- End web crippling check is based on 3.5" end bearing. Where listed spans are followed by "e", web stiffeners are required at end supports.
- Web stiffeners are required at interior supports.
- Total load (TL) deflection is based on L/240 and live load (LL) deflection is based on either L/360 or L/480.

BAILEY MAXIMUM FLOOR JOIST SPANS (ft)

Joist Member	F _y (ksi)	35 psf Dead Load 40 psf Live Load											
		TL Deflection = L/240, LL Deflection = L/360						TL Deflection = L/240, LL Deflection = L/480					
		SINGLE SPAN			TWO EQUAL SPANS			SINGLE SPAN			TWO EQUAL SPANS		
		Joist Spacing (in.) o.c.			Joist Spacing (in.) o.c.			Joist Spacing (in.) o.c.			Joist Spacing (in.) o.c.		
		12	16	24	12	16	24	12	16	24	12	16	24
600S162-33	33	9' 4"e	8' 1"e	6' 7"e	8' 10"e	7' 3"e	5' 4"e	9' 4"e	8' 1"e	6' 7"e	8' 10"e	7' 3"e	5' 4"e
600S162-43	33	11' 2"e	9' 8"e	7' 10"e	11' 2"	9' 8"	7' 10"e	11' 2"e	9' 8"e	7' 10"e	11' 2"	9' 8"	7' 10"e
600S162-54	50	13' 7"	12' 3"	10' 6"	14' 10"	12' 10"	10' 6"	13' 3"	12' 1"	10' 6"	14' 10"	12' 10"	10' 6"
600S162-68	50	14' 7"	13' 2"	11' 6"	17' 3"	15' 0"	12' 2"	14' 2"	12' 10"	11' 3"	16' 0"	14' 6"	12' 2"
600S162-97	50	16' 1"	14' 8"	12' 9"	19' 4"	17' 7"	15' 1"	15' 9"	14' 3"	12' 6"	17' 8"	16' 1"	14' 1"
600S162-118	50	17' 0"	15' 6"	13' 6"	20' 6"	18' 7"	16' 3"	16' 8"	15' 1"	13' 2"	18' 8"	17' 0"	14' 10"
600S200-33	33	10' 0"e	8' 8"e	7' 1"e	9' 1"e	7' 4"e	5' 4"e	10' 0"e	8' 8"e	7' 1"e	9' 1"e	7' 4"e	5' 4"e
600S200-43	33	12' 0"e	10' 4"e	8' 6"e	12' 0"	10' 2"e	8' 0"e	12' 0"e	10' 4"e	8' 6"e	12' 0"	10' 2"e	8' 0"e
600S200-54	50	14' 3"	13' 0"	11' 3"	15' 10"	13' 9"	11' 0"	14' 0"	12' 8"	11' 1"	15' 8"	13' 9"	11' 0"
600S200-68	50	15' 3"	13' 10"	12' 1"	18' 4"	16' 0"	13' 1"	15' 0"	13' 7"	11' 10"	16' 9"	15' 3"	13' 1"
600S200-97	50	17' 0"	15' 4"	13' 6"	20' 6"	18' 7"	16' 2"	16' 7"	15' 1"	13' 2"	18' 8"	17' 0"	14' 9"
600S200-118	50	18' 0"	16' 3"	14' 3"	21' 7"	19' 8"	17' 2"	17' 7"	16' 0"	14' 0"	19' 8"	17' 10"	15' 8"
600S250-43	33	12' 3"e	10' 8"e	8' 8"e	12' 3"	10' 4"e	8' 1"e	12' 3"e	10' 8"e	8' 8"e	12' 3"	10' 4"e	8' 1"e
600S250-54	50	14' 8"	13' 4"	11' 6"e	16' 3"	14' 1"	11' 2"	14' 4"	13' 1"	11' 4"	16' 2"	14' 1"	11' 2"
600S250-68	50	16' 0"	14' 6"	12' 8"	19' 0"	16' 6"	13' 3"	15' 7"	14' 2"	12' 4"	17' 7"	15' 10"	13' 3"
600S250-97	50	17' 9"	16' 2"	14' 2"	21' 6"	19' 6"	16' 10"	17' 6"	15' 10"	13' 10"	19' 7"	17' 9"	15' 7"
600S250-118	50	18' 10"	17' 2"	15' 0"	22' 8"	20' 8"	18' 1"	18' 6"	16' 9"	14' 8"	20' 9"	18' 10"	16' 6"
600S300-54	50	15' 1"	13' 8"	11' 8"e	16' 7"	14' 4"	11' 4"	14' 9"	13' 4"	11' 8"e	16' 7"	14' 4"	11' 4"
600S300-68	50	16' 4"	14' 10"	13' 0"	19' 4"	16' 9"	13' 7"	16' 1"	14' 7"	12' 9"	18' 0"	16' 4"	13' 7"
600S300-97	50	18' 6"	16' 9"	14' 8"	22' 3"	20' 2"	17' 0"	18' 1"	16' 6"	14' 4"	20' 3"	18' 6"	16' 1"
600S300-118	50	19' 8"	17' 10"	15' 8"	23' 9"	21' 7"	18' 10"	19' 3"	17' 6"	15' 3"	21' 8"	19' 8"	17' 2"
800S162-33	33	10' 9"e	8' 9"e	5' 9"e	8' 2"e	6' 4"e	4' 6"e	10' 9"e	8' 9"e	5' 9"e	8' 2"e	6' 4"e	4' 6"e
800S162-43	33	13' 0"e	11' 3"e	9' 2"e	12' 6"	10' 4"e	7' 10"e	13' 0"e	11' 3"e	9' 2"e	12' 6"	10' 4"e	7' 10"e
800S162-54	50	16' 10"	15' 1"	12' 3"e	17' 4"	15' 1"	12' 0"	16' 7"	15' 1"	12' 3"e	17' 4"	15' 1"	12' 0"
800S162-68	50	18' 3"	16' 8"	14' 4"	20' 4"	17' 7"	14' 4"	17' 10"	16' 3"	14' 2"	20' 1"	17' 7"	14' 4"
800S162-97	50	20' 4"	18' 6"	16' 2"	24' 7"	22' 3"	18' 2"	20' 0"	18' 1"	15' 9"	22' 4"	20' 4"	17' 9"
800S162-118	50	21' 7"	19' 7"	17' 1"	26' 0"	23' 7"	20' 7"	21' 1"	19' 2"	16' 9"	23' 8"	21' 6"	18' 9"
800S200-43	33	14' 0"e	12' 1"e	9' 10"e	13' 7"e	11' 3"e	8' 6"e	14' 0"e	12' 1"e	9' 10"e	13' 7"e	11' 3"e	8' 6"e
800S200-54	50	17' 10"	16' 2"	13' 2"e	18' 7"	16' 2"	13' 0"	17' 6"	15' 10"	13' 2"e	18' 7"	16' 2"	13' 0"
800S200-68	50	19' 2"	17' 6"	15' 3"	21' 9"	18' 10"	15' 4"	18' 9"	17' 1"	14' 10"	21' 1"	18' 10"	15' 4"
800S200-97	50	21' 4"	19' 4"	17' 0"	25' 9"	23' 4"	19' 4"	20' 10"	19' 0"	16' 7"	23' 6"	21' 4"	18' 8"
800S200-118	50	22' 8"	20' 7"	18' 0"	27' 3"	24' 9"	21' 8"	22' 2"	20' 2"	17' 7"	24' 10"	22' 7"	19' 9"
800S250-43	33	14' 3"e	12' 4"e	10' 1"e	13' 8"e	11' 3"e	8' 6"e	14' 3"e	12' 4"e	10' 1"e	13' 8"e	11' 3"e	8' 6"e
800S250-54	50	18' 4"	16' 6"	13' 6"e	19' 1"	16' 6"	13' 1"	18' 0"	16' 4"	13' 6"e	19' 1"	16' 6"	13' 1"
800S250-68	50	20' 0"	18' 2"	15' 9"	22' 4"	19' 4"	15' 9"	19' 7"	17' 9"	15' 6"	22' 0"	19' 4"	15' 9"
800S250-97	50	22' 4"	20' 3"	17' 8"	26' 10"	24' 6"	20' 0"	21' 10"	19' 10"	17' 4"	24' 7"	22' 3"	19' 6"
800S250-118	50	23' 8"	21' 6"	18' 9"	28' 6"	25' 10"	22' 8"	23' 2"	21' 1"	18' 4"	26' 0"	23' 8"	20' 8"
800S300-54	50	18' 10"	16' 9"e	13' 8"e	19' 4"	16' 8"	13' 1"	18' 6"	16' 9"e	13' 8"e	19' 4"	16' 8"	13' 1"
800S300-68	50	20' 6"	18' 7"	16' 1"	22' 8"	19' 8"	16' 1"	20' 1"	18' 2"	15' 10"	22' 6"	19' 8"	16' 1"
800S300-97	50	23' 1"	21' 0"	18' 3"	27' 9"	25' 0"	20' 4"	22' 7"	20' 6"	18' 0"	25' 4"	23' 1"	20' 2"
800S300-118	50	24' 8"	22' 4"	19' 7"	29' 8"	27' 0"	23' 3"	24' 1"	21' 10"	19' 2"	27' 1"	24' 7"	21' 6"
1000S162-33	33	9' 3"e	7' 0"e	4' 8"e	7' 1"e	5' 4"e	3' 8"e	9' 3"e	7' 0"e	4' 8"e	7' 1"e	5' 4"e	3' 8"e
1000S162-43	33	14' 6"e	12' 6"e	10' 2"e	12' 7"e	10' 2"e	7' 4"e	14' 6"e	12' 6"e	10' 2"e	12' 7"e	10' 2"e	7' 4"e
1000S162-54	50	19' 3"	16' 9"e	13' 8"e	19' 2"	16' 1"	12' 3"	19' 3"	16' 9"e	13' 8"e	19' 2"	16' 1"	12' 3"
1000S162-68	50	21' 9"	19' 9"	16' 1"	22' 9"	19' 9"	16' 1"	21' 4"	19' 4"	16' 1"	22' 9"	19' 9"	16' 1"
1000S162-97	50	24' 7"	22' 3"	19' 6"	29' 2"	25' 3"	20' 7"	24' 0"	21' 9"	19' 1"	27' 0"	24' 6"	20' 7"
1000S162-118	50	26' 0"	23' 7"	20' 8"	31' 3"	28' 6"	23' 6"	25' 6"	23' 1"	20' 2"	28' 7"	26' 0"	22' 8"
1000S200-43	33	15' 8"e	13' 7"e	10' 3"e	13' 1"e	10' 6"e	7' 6"e	15' 8"e	13' 7"e	10' 3"e	13' 1"e	10' 6"e	7' 6"e
1000S200-54	50	20' 10"	18' 1"e	14' 9"e	19' 9"	16' 6"	12' 7"	20' 7"	18' 1"e	14' 9"e	19' 9"	16' 6"	12' 7"
1000S200-68	50	22' 9"	20' 8"	17' 3"e	24' 6"	21' 2"	17' 3"	22' 3"	20' 3"	17' 3"e	24' 6"	21' 2"	17' 3"
1000S200-97	50	25' 8"	23' 3"	20' 4"	30' 10"	27' 0"	22' 1"	25' 1"	22' 9"	19' 10"	28' 2"	25' 7"	22' 1"
1000S200-118	50	27' 2"	24' 8"	21' 7"	32' 9"	29' 9"	25' 1"	26' 7"	24' 2"	21' 1"	29' 10"	27' 2"	23' 8"
1000S250-43	33	16' 0"e	13' 10"e	10' 3"e	13' 4"e	10' 8"e	7' 7"e	16' 0"e	13' 10"e	10' 3"e	13' 4"e	10' 8"e	7' 7"e
1000S250-54	50	21' 4"e	18' 7"e	15' 2"e	20' 7"	17' 1"	12' 10"	21' 4"e	18' 7"e	15' 2"e	20' 7"	17' 1"	12' 10"
1000S250-68	50	23' 10"	21' 8"	17' 9"e	25' 2"	21' 9"	17' 9"	23' 4"	21' 2"	17' 9"e	25' 2"	21' 9"	17' 9"
1000S250-97	50	26' 8"	24' 3"	21' 2"	32' 2"	27' 10"	22' 8"	26' 2"	23' 9"	20' 9"	29' 4"	26' 8"	22' 8"
1000S250-118	50	28' 4"	25' 9"	22' 6"	34' 1"	31' 0"	26' 0"	27' 9"	25' 2"	22' 0"	31' 2"	28' 3"	24' 8"
1000S300-54	50	21' 8"e	18' 9"e	15' 3"e	20' 8"	17' 2"	13' 0"	21' 8"e	18' 9"e	15' 3"e	20' 8"	17' 2"	13' 0"
1000S300-68	50	24' 4"	22' 2"	18' 1"e	25' 7"	22' 2"	18' 1"	23' 10"	21' 8"	18' 1"e	25' 7"	22' 2"	18' 1"
1000S300-97	50	27' 6"	25' 0"	21' 10"	32' 9"	28' 4"	23' 2"	27' 0"	24' 6"	21' 4"	30' 3"	27' 6"	23' 2"
1000S300-118	50	29' 4"	26' 8"	23' 3"	35' 4"	32' 2"	26' 7"	28' 9"	26' 2"	22' 9"	32' 3"	29' 4"	25' 7"
1000S350-54	50	23' 7"e	20' 7"e	16' 9"e	22' 2"	18' 3"	13' 7"	23' 1"e	20' 7"e	16' 9"e	22' 2"	18' 3"	13' 7"
1000S350-68	50	25' 9"	23' 6"	19' 10"e	28' 1"	24' 4"	19' 10"	25' 3"	23' 0"	19' 10"e	28' 1"	24' 4"	19' 10"
1000S350-97	50	29' 1"	26' 4"	23' 1"	35' 0"	31' 2"	25' 6"	28' 6"	25' 10"	22' 7"	32' 0"	29' 0"	25' 4"
1000S350-118	50	30' 10"	28' 1"	24' 6"	37' 2"	33' 9"	29' 2"	30' 2"	27' 6"	24' 0"	34' 0"	30' 9"	26' 10"

BAILEY MAXIMUM FLOOR JOIST SPANS (ft)

Joist Member	F _y (ksi)	35 psf Dead Load 40 psf Live Load											
		TL Deflection = L/240, LL Deflection = L/360						TL Deflection = L/240, LL Deflection = L/480					
		SINGLE SPAN			TWO EQUAL SPANS			SINGLE SPAN			TWO EQUAL SPANS		
		Joist Spacing (in.) o.c.			Joist Spacing (in.) o.c.			Joist Spacing (in.) o.c.			Joist Spacing (in.) o.c.		
		12	16	24	12	16	24	12	16	24	12	16	24
1200S162-43	33	15' 7"	12' 9"	8' 7"	12' 0"	9' 4"	6' 7"	15' 7"	12' 9"	8' 7"	12' 0"	9' 4"	6' 7"
1200S162-54	50	20' 9"	18' 1"	14' 8"	19' 7"	16' 0"	11' 9"	20' 9"	18' 1"	14' 8"	19' 7"	16' 0"	11' 9"
1200S162-68	50	24' 8"	21' 4"	17' 6"	24' 8"	21' 4"	17' 2"	24' 7"	21' 4"	17' 6"	24' 8"	21' 4"	17' 2"
1200S162-97	50	28' 6"	25' 10"	22' 7"	32' 0"	27' 8"	22' 7"	27' 10"	25' 4"	22' 2"	31' 4"	27' 8"	22' 7"
1200S162-118	50	30' 4"	27' 7"	24' 1"	36' 7"	31' 9"	26' 0"	29' 9"	27' 0"	23' 7"	33' 4"	30' 3"	26' 0"
1200S200-54	50	22' 7"	19' 7"	16' 0"	20' 1"	16' 4"	11' 10"	22' 7"	19' 7"	16' 0"	20' 1"	16' 4"	11' 10"
1200S200-68	50	26' 3"	23' 2"	18' 10"	26' 8"	23' 1"	18' 0"	25' 8"	23' 2"	18' 10"	26' 8"	23' 1"	18' 0"
1200S200-97	50	29' 8"	27' 0"	23' 7"	34' 4"	29' 9"	24' 3"	29' 1"	26' 4"	23' 1"	32' 8"	29' 8"	24' 3"
1200S200-118	50	31' 8"	28' 9"	25' 1"	38' 1"	34' 1"	27' 9"	31' 0"	28' 2"	24' 7"	34' 9"	31' 7"	27' 7"
1200S250-54	50	23' 3"	20' 2"	16' 6"	20' 3"	16' 6"	12' 0"	23' 3"	20' 2"	16' 6"	20' 3"	16' 6"	12' 0"
1200S250-68	50	27' 2"	23' 10"	19' 6"	27' 4"	23' 2"	18' 1"	26' 7"	23' 10"	19' 6"	27' 4"	23' 2"	18' 1"
1200S250-97	50	30' 10"	28' 1"	24' 6"	35' 6"	30' 9"	25' 1"	30' 2"	27' 6"	24' 0"	37' 10"	30' 9"	25' 1"
1200S250-118	50	32' 10"	29' 10"	26' 1"	39' 7"	35' 3"	28' 9"	32' 2"	29' 3"	25' 7"	36' 1"	32' 9"	28' 8"
1200S300-54	50	23' 7"	20' 4"	16' 8"	20' 8"	16' 9"	12' 1"	23' 7"	20' 4"	16' 8"	20' 8"	16' 9"	12' 1"
1200S300-68	50	28' 2"	24' 4"	19' 10"	28' 2"	24' 1"	18' 8"	27' 7"	24' 4"	19' 10"	28' 2"	24' 1"	18' 8"
1200S300-97	50	31' 10"	28' 10"	25' 3"	36' 3"	31' 4"	25' 7"	31' 2"	28' 3"	24' 8"	35' 0"	31' 4"	25' 7"
1200S300-118	50	34' 0"	30' 10"	27' 0"	41' 0"	36' 1"	29' 6"	33' 3"	30' 3"	26' 4"	37' 4"	34' 0"	29' 6"
1200S350-54	50	25' 8"	22' 3"	17' 0"	21' 10"	17' 6"	12' 6"	25' 8"	22' 3"	17' 0"	21' 10"	17' 6"	12' 6"
1200S350-68	50	29' 9"	26' 6"	21' 8"	30' 7"	26' 1"	20' 0"	29' 2"	26' 6"	21' 8"	30' 7"	26' 1"	20' 0"
1200S350-97	50	33' 7"	30' 6"	26' 7"	39' 8"	34' 4"	28' 1"	32' 10"	29' 9"	26' 1"	36' 10"	33' 6"	28' 1"
1200S350-118	50	35' 8"	32' 4"	28' 3"	43' 0"	39' 0"	32' 3"	34' 10"	31' 8"	27' 8"	39' 2"	35' 7"	31' 1"
1400S162-54	50	22' 0"	19' 1"	14' 6"	19' 2"	15' 3"	10' 9"	22' 0"	19' 1"	14' 6"	19' 2"	15' 3"	10' 9"
1400S162-68	50	26' 3"	22' 9"	18' 7"	26' 3"	22' 8"	17' 4"	26' 3"	22' 9"	18' 7"	26' 3"	22' 8"	17' 4"
1400S162-97	50	32' 3"	29' 4"	24' 2"	34' 3"	29' 8"	24' 2"	31' 7"	28' 8"	24' 2"	34' 3"	29' 8"	24' 2"
1400S162-118	50	34' 7"	31' 6"	27' 6"	39' 7"	34' 3"	28' 0"	33' 10"	30' 9"	26' 10"	38' 1"	34' 3"	28' 0"
1400S200-54	50	24' 1"	20' 9"	14' 6"	19' 6"	15' 6"	10' 10"	24' 1"	20' 9"	14' 6"	19' 6"	15' 6"	10' 10"
1400S200-68	50	28' 7"	24' 8"	20' 2"	28' 4"	23' 8"	18' 0"	28' 7"	24' 8"	20' 2"	28' 4"	23' 8"	18' 0"
1400S200-97	50	33' 7"	30' 6"	26' 2"	37' 0"	32' 0"	26' 2"	32' 10"	29' 10"	26' 1"	36' 10"	33' 0"	26' 2"
1400S200-118	50	36' 0"	32' 8"	28' 7"	42' 7"	36' 10"	30' 1"	35' 2"	32' 0"	28' 0"	39' 6"	35' 10"	30' 1"
1400S250-54	50	24' 9"	21' 6"	14' 6"	19' 8"	15' 7"	11' 0"	24' 9"	21' 6"	14' 6"	19' 8"	15' 7"	11' 0"
1400S250-68	50	29' 8"	25' 8"	21' 0"	28' 6"	23' 9"	18' 0"	29' 8"	25' 8"	21' 0"	28' 6"	23' 9"	18' 0"
1400S250-97	50	34' 9"	31' 7"	27' 1"	38' 4"	33' 2"	27' 1"	34' 1"	31' 0"	27' 0"	38' 3"	33' 2"	27' 1"
1400S250-118	50	37' 3"	33' 10"	29' 7"	44' 3"	38' 3"	31' 3"	36' 6"	33' 2"	29' 0"	41' 0"	37' 2"	31' 3"
1400S300-54	50	25' 1"	21' 9"	14' 6"	19' 9"	15' 8"	11' 0"	25' 1"	21' 9"	14' 6"	19' 9"	15' 8"	11' 0"
1400S300-68	50	30' 2"	26' 2"	21' 4"	28' 9"	24' 0"	18' 2"	30' 2"	26' 2"	21' 4"	28' 9"	24' 0"	18' 2"
1400S300-97	50	35' 8"	32' 6"	27' 9"	39' 3"	34' 0"	27' 9"	35' 0"	31' 9"	27' 9"	39' 3"	34' 0"	27' 9"
1400S300-118	50	38' 6"	35' 0"	30' 7"	45' 4"	39' 3"	32' 1"	37' 8"	34' 2"	29' 10"	42' 3"	38' 4"	32' 1"
1400S350-54	50	27' 2"	21' 9"	14' 6"	20' 8"	16' 2"	11' 2"	27' 2"	21' 9"	14' 6"	20' 8"	16' 2"	11' 2"
1400S350-68	50	32' 7"	28' 3"	23' 1"	31' 7"	26' 1"	19' 4"	32' 7"	28' 3"	23' 1"	31' 7"	26' 1"	19' 4"
1400S350-97	50	37' 10"	34' 6"	30' 1"	42' 9"	37' 1"	30' 3"	37' 1"	33' 8"	29' 6"	41' 8"	37' 1"	30' 3"
1400S350-118	50	40' 4"	36' 8"	32' 0"	48' 7"	42' 10"	35' 0"	39' 6"	35' 10"	31' 3"	44' 3"	40' 3"	35' 0"
1600S162-68	50	27' 6"	23' 9"	19' 6"	27' 6"	22' 9"	17' 0"	27' 6"	23' 9"	19' 6"	27' 6"	22' 9"	17' 0"
1600S162-97	50	36' 0"	31' 3"	25' 7"	36' 2"	31' 3"	25' 7"	35' 2"	31' 3"	25' 7"	36' 2"	31' 3"	25' 7"
1600S162-118	50	38' 7"	35' 1"	29' 8"	42' 0"	36' 4"	29' 8"	37' 9"	34' 4"	29' 8"	42' 0"	36' 4"	29' 8"
1600S200-68	50	30' 0"	26' 0"	21' 2"	28' 9"	23' 7"	17' 4"	30' 0"	26' 0"	21' 2"	28' 9"	23' 7"	17' 4"
1600S200-97	50	37' 3"	33' 10"	27' 8"	39' 2"	34' 0"	27' 8"	36' 6"	33' 2"	27' 8"	39' 2"	34' 0"	27' 8"
1600S200-118	50	40' 1"	36' 4"	31' 9"	45' 4"	39' 3"	32' 1"	39' 2"	35' 7"	31' 1"	44' 0"	39' 3"	32' 1"
1600S250-68	50	31' 3"	27' 1"	22' 2"	28' 10"	23' 8"	17' 4"	31' 3"	27' 1"	22' 2"	28' 10"	23' 8"	17' 4"
1600S250-97	50	38' 7"	35' 1"	28' 10"	40' 10"	35' 4"	28' 10"	37' 9"	34' 3"	28' 10"	40' 10"	35' 4"	28' 10"
1600S250-118	50	41' 6"	37' 8"	32' 10"	47' 3"	41' 0"	33' 4"	40' 7"	36' 10"	32' 2"	45' 6"	41' 0"	33' 4"
1600S300-68	50	31' 10"	27' 7"	22' 7"	29' 1"	23' 10"	17' 7"	31' 10"	27' 7"	22' 7"	29' 1"	23' 10"	17' 7"
1600S300-97	50	39' 7"	36' 0"	29' 8"	42' 0"	36' 4"	29' 8"	38' 9"	35' 2"	29' 8"	42' 0"	36' 4"	29' 8"
1600S300-118	50	42' 8"	38' 9"	33' 10"	48' 7"	42' 1"	34' 4"	41' 9"	38' 0"	33' 2"	47' 0"	42' 1"	34' 4"
1600S350-68	50	34' 2"	29' 7"	24' 2"	31' 1"	25' 2"	18' 2"	34' 2"	29' 7"	24' 2"	31' 1"	25' 2"	18' 2"
1600S350-97	50	41' 8"	37' 10"	32' 1"	45' 4"	39' 3"	32' 0"	40' 9"	37' 1"	32' 1"	45' 4"	39' 3"	32' 0"
1600S350-118	50	44' 8"	40' 7"	35' 6"	52' 10"	45' 9"	37' 4"	43' 8"	39' 8"	34' 8"	49' 1"	44' 7"	37' 4"

GENERAL NOTES:

1. Spans are based on continuous lateral support of the compression flange over the full joist length.
2. Tension flange must be laterally braced at a maximum spacing of 8'-0".
3. Joists must be braced against rotation at all supports.
4. Distortional buckling calculations are based on K_φ = 0.
5. For two equal spans, the listed span is the distance from either end to the continuous centre support.
6. End web crippling check is based on 3.5" end bearing. Where listed spans are followed by "e", web stiffeners are required at end supports.
7. Web stiffeners are required at interior supports.
8. Total load (TL) deflection is based on L/240 and live load (LL) deflection is based on either L/360 or L/480.

BAILEY MAXIMUM FLOOR JOIST SPANS (ft)

Joist Member	F _y (ksi)	15 psf Dead Load 100 psf Live Load											
		TL Deflection = L/240, LL Deflection = L/360						TL Deflection = L/240, LL Deflection = L/480					
		SINGLE SPAN			TWO EQUAL SPANS			SINGLE SPAN			TWO EQUAL SPANS		
		Joist Spacing (in.) o.c.			Joist Spacing (in.) o.c.			Joist Spacing (in.) o.c.			Joist Spacing (in.) o.c.		
		12	16	24	12	16	24	12	16	24	12	16	24
600S162-33	33	7' 3"e	6' 4"e	4' 9"e	6' 3"e	5' 0"e	3' 7"e	7' 3"e	6' 4"e	4' 9"e	6' 3"e	5' 0"e	3' 7"e
600S162-43	33	8' 9"e	7' 7"e	6' 2"e	8' 9"e	7' 6"e	5' 8"e	8' 9"e	7' 7"e	6' 2"e	8' 9"e	7' 6"e	5' 8"e
600S162-54	50	10' 9"	9' 9"	8' 3"e	11' 8"	10' 1"	8' 1"	9' 9"	8' 10"	7' 9"e	11' 0"	10' 0"	8' 1"
600S162-68	50	11' 6"	10' 6"	9' 2"	13' 0"	11' 9"	9' 7"	10' 6"	9' 6"	8' 3"	11' 9"	10' 8"	9' 3"
600S162-97	50	12' 9"	11' 7"	10' 2"	14' 4"	13' 1"	11' 4"	11' 7"	10' 7"	9' 2"	13' 1"	11' 10"	10' 4"
600S162-118	50	13' 6"	12' 3"	10' 8"	15' 2"	13' 9"	12' 0"	12' 3"	11' 2"	9' 8"	13' 9"	12' 6"	10' 10"
600S200-33	33	7' 10"e	6' 9"e	4' 9"e	6' 4"e	5' 1"e	3' 7"e	7' 10"e	6' 9"e	4' 9"e	6' 4"e	5' 1"e	3' 7"e
600S200-43	33	9' 4"e	8' 1"e	6' 7"e	9' 0"e	7' 7"e	5' 8"e	9' 4"e	8' 1"e	6' 7"e	9' 0"e	7' 7"e	5' 8"e
600S200-54	50	11' 3"	10' 3"	8' 9"e	12' 4"	10' 6"	8' 1"	10' 3"	9' 3"	8' 2"e	11' 6"	10' 6"	8' 1"
600S200-68	50	12' 1"	11' 0"	9' 7"	13' 7"	12' 4"	10' 3"	11' 0"	10' 0"	8' 9"	12' 4"	11' 3"	9' 9"
600S200-97	50	13' 6"	12' 3"	10' 8"	15' 1"	13' 9"	12' 0"	12' 3"	11' 1"	9' 8"	13' 9"	12' 6"	10' 10"
600S200-118	50	14' 3"	13' 0"	11' 3"	16' 0"	14' 6"	12' 8"	13' 0"	11' 9"	10' 3"	14' 6"	13' 2"	11' 6"
600S250-43	33	9' 7"e	8' 4"e	6' 9"e	9' 2"e	7' 8"e	5' 9"e	9' 7"e	8' 4"e	6' 9"e	9' 2"e	7' 8"e	5' 9"e
600S250-54	50	11' 8"	10' 7"e	9' 1"e	12' 8"	10' 8"	8' 2"	10' 7"	9' 8"	8' 4"e	11' 10"	10' 8"	8' 2"
600S250-68	50	12' 8"	11' 6"	10' 1"	14' 2"	12' 8"	10' 0"	11' 6"	10' 6"	9' 1"	12' 10"	11' 9"	10' 0"
600S250-97	50	14' 2"	12' 10"	11' 2"	15' 10"	14' 4"	12' 7"	12' 10"	11' 8"	10' 2"	14' 4"	13' 1"	11' 6"
600S250-118	50	15' 0"	13' 7"	11' 10"	16' 9"	15' 3"	13' 4"	13' 7"	12' 4"	10' 9"	15' 3"	13' 10"	12' 1"
600S300-54	50	12' 0"	10' 10"e	9' 2"e	12' 9"	10' 9"	8' 3"	10' 10"	9' 10"	8' 7"e	12' 2"	10' 9"	8' 3"
600S300-68	50	13' 0"	11' 9"	10' 3"	14' 7"	12' 10"	10' 2"	11' 9"	10' 9"	9' 4"	13' 3"	12' 1"	10' 2"
600S300-97	50	14' 8"	13' 3"	11' 8"	16' 6"	15' 0"	12' 10"	13' 3"	12' 1"	10' 7"	15' 0"	13' 7"	11' 10"
600S300-118	50	15' 8"	14' 2"	12' 4"	17' 7"	16' 0"	14' 0"	14' 2"	12' 10"	11' 3"	16' 0"	14' 6"	12' 8"
800S162-33	33	7' 2"e	5' 4"e	3' 7"e	5' 4"e	4' 1"e	2' 9"e	7' 2"e	5' 4"e	3' 7"e	5' 4"e	4' 1"e	2' 9"e
800S162-43	33	10' 2"e	8' 10"e	7' 2"e	9' 1"e	7' 6"e	5' 6"e	10' 2"e	8' 10"e	7' 2"e	9' 1"e	7' 6"e	5' 6"e
800S162-54	50	13' 6"	11' 9"e	9' 7"e	13' 7"	11' 4"	8' 9"	12' 2"	11' 1"e	9' 7"e	13' 7"	11' 4"	8' 9"
800S162-68	50	14' 7"	13' 2"	11' 3"e	16' 0"	13' 9"	11' 1"	13' 2"	12' 0"	10' 6"e	14' 9"	13' 6"	11' 1"
800S162-97	50	16' 2"	14' 8"	12' 10"	18' 2"	16' 6"	14' 1"	14' 8"	13' 4"	11' 8"	16' 6"	15' 0"	13' 1"
800S162-118	50	17' 1"	15' 7"	13' 7"	19' 2"	17' 6"	15' 3"	15' 7"	14' 1"	12' 4"	17' 6"	15' 10"	13' 10"
800S200-43	33	11' 0"e	9' 6"e	7' 9"e	9' 9"e	8' 0"e	5' 8"e	11' 0"e	9' 6"e	7' 9"e	9' 9"e	8' 0"e	5' 8"e
800S200-54	50	14' 2"e	12' 8"e	10' 3"e	14' 7"	12' 3"	9' 4"e	12' 10"	11' 8"e	10' 3"e	14' 6"	12' 3"	9' 4"e
800S200-68	50	15' 3"	13' 10"	12' 1"e	17' 1"	14' 9"	12' 1"	13' 10"	12' 7"	11' 0"e	15' 7"	14' 1"	12' 1"
800S200-97	50	17' 0"	15' 4"	13' 6"	19' 1"	17' 3"	15' 1"	15' 4"	14' 0"	12' 2"	17' 3"	15' 8"	13' 8"
800S200-118	50	18' 0"	16' 3"	14' 3"	20' 2"	18' 3"	16' 0"	16' 3"	14' 9"	13' 0"	18' 3"	16' 8"	14' 7"
800S250-43	33	11' 2"e	9' 8"e	8' 0"e	9' 10"e	8' 0"e	5' 9"e	11' 2"e	9' 8"e	8' 0"e	9' 10"e	8' 0"e	5' 9"e
800S250-54	50	14' 7"e	13' 0"e	10' 7"e	14' 9"	12' 4"	9' 6"e	13' 3"	12' 1"e	10' 7"e	14' 9"	12' 4"	9' 6"e
800S250-68	50	15' 10"	14' 4"	12' 4"e	17' 6"	15' 2"	12' 1"	14' 4"	13' 1"	11' 4"e	16' 2"	14' 8"	12' 1"
800S250-97	50	17' 8"	16' 1"	14' 1"	19' 10"	18' 1"	15' 8"	16' 1"	14' 7"	12' 9"	18' 1"	16' 4"	14' 4"
800S250-118	50	18' 9"	17' 1"	14' 10"	21' 1"	19' 2"	16' 9"	17' 1"	15' 6"	13' 7"	19' 2"	17' 4"	15' 2"
800S300-54	50	15' 0"e	13' 1"e	10' 8"e	14' 10"	12' 4"	9' 6"e	13' 7"e	12' 4"e	10' 8"e	14' 10"	12' 4"	9' 6"e
800S300-68	50	16' 3"	14' 9"	12' 7"e	17' 9"	15' 4"	12' 3"	14' 9"	13' 4"	11' 8"e	16' 7"	15' 1"	12' 3"
800S300-97	50	18' 3"	16' 8"	14' 7"	20' 7"	18' 8"	16' 0"	16' 8"	15' 1"	13' 2"	18' 8"	17' 0"	14' 9"
800S300-118	50	19' 7"	17' 9"	15' 6"	22' 0"	20' 0"	17' 4"	17' 9"	16' 2"	14' 1"	20' 0"	18' 1"	15' 9"
1000S162-33	33	5' 8"e	4' 3"e	2' 10"e	4' 6"e	3' 4"e	2' 3"e	5' 8"e	4' 3"e	2' 10"e	4' 6"e	3' 4"e	2' 3"e
1000S162-43	33	11' 4"e	9' 6"e	6' 3"e	8' 9"e	6' 10"e	4' 9"e	11' 4"e	9' 6"e	6' 3"e	8' 9"e	6' 10"e	4' 9"e
1000S162-54	50	15' 2"e	13' 1"e	10' 8"e	14' 1"	11' 7"	8' 7"	14' 6"e	13' 1"e	10' 8"e	14' 1"	11' 7"	8' 7"
1000S162-68	50	17' 3"	15' 6"e	12' 7"e	17' 10"	15' 6"	12' 3"	15' 8"	14' 3"	12' 6"e	17' 8"	15' 6"	12' 3"
1000S162-97	50	19' 6"	17' 8"	15' 6"	21' 10"	19' 9"	16' 2"	17' 8"	16' 1"	14' 1"	19' 10"	18' 1"	15' 9"
1000S162-118	50	20' 8"	18' 9"	16' 4"	23' 2"	21' 1"	18' 4"	18' 9"	17' 1"	14' 10"	21' 1"	19' 1"	16' 8"
1000S200-43	33	12' 3"e	9' 6"e	6' 3"e	9' 0"e	7' 0"e	4' 10"e	12' 3"e	9' 6"e	6' 3"e	9' 0"e	7' 0"e	4' 10"e
1000S200-54	50	16' 4"e	14' 2"e	11' 7"e	14' 6"	11' 10"	8' 8"e	15' 2"e	13' 9"e	11' 7"e	14' 6"	11' 10"	8' 8"e
1000S200-68	50	18' 1"	16' 6"e	13' 7"e	19' 2"	16' 6"	12' 10"	16' 6"	15' 0"e	13' 1"e	18' 6"	16' 6"	12' 10"
1000S200-97	50	20' 4"	18' 6"	16' 2"	22' 10"	20' 9"	17' 3"	18' 6"	16' 9"	14' 8"	20' 9"	18' 10"	16' 6"
1000S200-118	50	21' 7"	19' 7"	17' 1"	24' 2"	22' 0"	19' 2"	19' 7"	17' 9"	15' 7"	22' 0"	20' 0"	17' 6"
1000S250-43	33	12' 6"e	9' 6"e	6' 3"e	9' 1"e	7' 1"e	4' 10"e	12' 6"e	9' 6"e	6' 3"e	9' 1"e	7' 1"e	4' 10"e
1000S250-54	50	16' 9"e	14' 7"e	11' 10"e	15' 0"	12' 2"	8' 10"e	15' 10"e	14' 4"e	11' 10"e	15' 0"	12' 2"	8' 10"e
1000S250-68	50	18' 10"	17' 1"e	14' 0"e	19' 9"	17' 1"	13' 6"e	17' 2"	15' 7"e	13' 8"e	19' 3"	17' 1"	13' 6"e
1000S250-97	50	21' 2"	19' 3"	16' 9"	23' 9"	21' 7"	17' 9"	19' 3"	17' 6"	15' 3"	21' 7"	19' 8"	17' 2"
1000S250-118	50	22' 6"	20' 4"	17' 10"	25' 3"	23' 0"	20' 1"	20' 4"	18' 7"	16' 2"	23' 0"	20' 10"	18' 2"
1000S300-54	50	17' 0"e	14' 8"e	12' 0"e	15' 0"	12' 2"	8' 10"e	16' 1"e	14' 8"e	12' 0"e	15' 0"	12' 2"	8' 10"e
1000S300-68	50	19' 4"	17' 4"e	14' 2"e	20' 1"	17' 4"	13' 7"e	17' 7"	16' 0"e	14' 0"e	19' 9"	17' 4"	13' 7"e
1000S300-97	50	21' 10"	19' 10"	17' 3"	24' 6"	22' 3"	18' 2"	19' 10"	18' 0"	15' 9"	22' 3"	20' 3"	17' 8"
1000S300-118	50	23' 3"	21' 2"	18' 6"	26' 2"	23' 9"	20' 9"	21' 2"	19' 3"	16' 9"	23' 9"	21' 7"	18' 10"
1000S350-54	50	18' 7"e	16' 1"e	12' 7"e	15' 10"	12' 9"	9' 2"e	17' 0"e	15' 6"e	12' 7"e	15' 10"	12' 9"	9' 2"e
1000S350-68	50	20' 6"e	18' 7"e	15' 7"e	22' 1"	18' 10"	14' 7"e	18' 7"	16' 10"e	14' 9"e	20' 10"	18' 10"	14' 7"e
1000S350-97	50	23' 1"	21' 0"	18' 3"	25' 10"	23' 6"	20' 0"	21' 0"	19' 1"	16' 7"	23' 6"	21' 4"	18' 8"
1000S350-118	50	24' 6"	22' 3"	19' 6"	27' 6"	25' 0"	21' 10"	22' 3"	20' 2"	17' 8"	25' 0"	22' 8"	19' 10"

BAILEY MAXIMUM FLOOR JOIST SPANS (ft)

Joist Member	F _y (ksi)	15 psf Dead Load 100 psf Live Load											
		TL Deflection = L/240, LL Deflection = L/360						TL Deflection = L/240, LL Deflection = L/480					
		SINGLE SPAN			TWO EQUAL SPANS			SINGLE SPAN			TWO EQUAL SPANS		
		Joist Spacing (in.) o.c.			Joist Spacing (in.) o.c.			Joist Spacing (in.) o.c.			Joist Spacing (in.) o.c.		
		12	16	24	12	16	24	12	16	24	12	16	24
1200S162-43	33	10' 6"e	7' 10"e	5' 3"e	7' 10"e	6' 1"e	4' 1"e	10' 6"e	7' 10"e	5' 3"e	7' 10"e	6' 1"e	4' 1"e
1200S162-54	50	16' 3"e	14' 2"e	10' 4"e	13' 9"e	11' 0"e	7' 9"e	16' 3"e	14' 2"e	10' 4"e	13' 9"e	11' 0"e	7' 9"e
1200S162-68	50	19' 4"e	16' 9"e	13' 8"e	19' 4"	16' 4"	12' 6"	18' 2"	16' 6"e	13' 8"e	19' 4"	16' 4"	12' 6"
1200S162-97	50	22' 8"	20' 7"	17' 8"	25' 1"	21' 8"	17' 8"	20' 7"	18' 8"	16' 3"	23' 1"	21' 0"	17' 8"
1200S162-118	50	24' 1"	21' 10"	19' 2"	27' 1"	24' 7"	20' 4"	21' 10"	19' 10"	17' 4"	24' 7"	22' 4"	19' 6"
1200S200-54	50	17' 9"e	15' 4"e	10' 4"e	14' 1"e	11' 2"e	7' 10"e	17' 4"e	15' 4"e	10' 4"e	14' 1"e	11' 2"e	7' 10"e
1200S200-68	50	20' 9"e	18' 2"e	14' 9"e	20' 4"	17' 1"	13' 0"e	18' 10"	17' 2"e	14' 9"e	20' 4"	17' 1"	13' 0"e
1200S200-97	50	23' 7"	21' 4"	18' 8"e	26' 6"	23' 3"	19' 0"	21' 4"	19' 6"	17' 0"	24' 1"	21' 10"	19' 0"
1200S200-118	50	25' 1"	22' 9"	20' 0"	28' 2"	25' 7"	21' 9"	22' 9"	20' 9"	18' 1"	25' 7"	23' 3"	20' 3"
1200S250-54	50	18' 3"e	15' 8"e	10' 4"e	14' 2"e	11' 2"e	7' 10"e	17' 9"e	15' 8"e	10' 4"e	14' 2"e	11' 2"e	7' 10"e
1200S250-68	50	21' 7"e	18' 9"e	15' 3"e	20' 7"	17' 1"	13' 0"e	19' 7"e	17' 9"e	15' 3"e	20' 7"	17' 1"	13' 0"e
1200S250-97	50	24' 6"	22' 3"	19' 4"e	27' 6"	24' 1"	19' 8"	22' 3"	20' 2"	17' 8"	25' 0"	22' 8"	19' 8"
1200S250-118	50	26' 1"	23' 8"	20' 8"	29' 3"	26' 7"	22' 7"	23' 8"	21' 7"	18' 9"	26' 7"	24' 2"	21' 1"
1200S300-54	50	18' 6"e	15' 8"e	10' 4"e	14' 4"e	11' 3"e	7' 10"e	18' 3"e	15' 8"e	10' 4"e	14' 4"e	11' 3"e	7' 10"e
1200S300-68	50	22' 1"e	19' 1"e	15' 7"e	21' 3"	17' 8"	13' 4"e	20' 4"e	18' 6"e	15' 7"e	21' 3"	17' 8"	13' 4"e
1200S300-97	50	25' 3"	23' 0"	20' 1"e	28' 4"	24' 7"	20' 1"	23' 0"	20' 10"	18' 2"	25' 9"	23' 4"	20' 1"
1200S300-118	50	27' 0"	24' 6"	21' 4"	30' 3"	27' 7"	23' 1"	24' 6"	22' 3"	19' 6"	27' 7"	25' 0"	21' 10"
1200S350-54	50	20' 1"e	15' 8"e	10' 4"e	14' 10"e	11' 8"e	8' 1"e	19' 4"e	15' 8"e	10' 4"e	14' 10"e	11' 8"e	8' 1"e
1200S350-68	50	23' 8"e	20' 9"e	17' 0"e	23' 0"	18' 10"	14' 1"e	21' 6"e	19' 6"e	17' 0"e	23' 0"	18' 10"	14' 1"e
1200S350-97	50	26' 7"	24' 2"	21' 1"e	29' 10"	27' 0"	22' 0"	24' 2"	22' 0"	19' 2"e	27' 2"	24' 8"	21' 7"
1200S350-118	50	28' 3"	25' 8"	22' 6"	31' 9"	28' 10"	25' 2"	25' 8"	23' 4"	20' 4"	28' 10"	26' 2"	22' 10"
1400S162-54	50	17' 3"e	13' 4"e	8' 10"e	13' 0"e	10' 1"e	6' 10"e	17' 3"e	13' 4"e	8' 10"e	13' 0"e	10' 1"e	6' 10"e
1400S162-68	50	20' 7"e	17' 9"e	14' 7"e	20' 0"	16' 4"	12' 2"	20' 6"e	17' 9"e	14' 7"e	20' 0"	16' 4"	12' 2"
1400S162-97	50	25' 7"	23' 3"	19' 0"e	26' 10"	23' 3"	19' 0"	23' 3"	21' 2"	18' 6"e	26' 2"	23' 3"	19' 0"
1400S162-118	50	27' 6"	25' 0"	21' 9"	30' 10"	26' 10"	22' 0"	25' 0"	22' 8"	19' 9"	28' 0"	25' 6"	22' 0"
1400S200-54	50	17' 9"e	13' 4"e	8' 10"e	13' 1"e	10' 2"e	7' 0"e	17' 9"e	13' 4"e	8' 10"e	13' 1"e	10' 2"e	7' 0"e
1400S200-68	50	22' 4"e	19' 4"e	15' 9"e	20' 8"	17' 0"	12' 4"	21' 3"e	19' 4"e	15' 9"e	20' 8"	17' 0"	12' 4"
1400S200-97	50	26' 8"	24' 2"	20' 6"e	29' 0"	25' 1"	20' 6"	24' 2"	22' 0"	19' 2"e	27' 2"	24' 8"	20' 6"
1400S200-118	50	28' 7"	25' 10"	22' 8"	32' 1"	28' 10"	23' 7"	25' 10"	23' 7"	20' 7"	29' 1"	26' 6"	23' 1"
1400S250-54	50	17' 9"e	13' 4"e	8' 10"e	13' 2"e	10' 2"e	7' 0"e	17' 9"e	13' 4"e	8' 10"e	13' 2"e	10' 2"e	7' 0"e
1400S250-68	50	23' 2"e	20' 1"e	16' 4"e	20' 9"	17' 0"	12' 6"e	22' 0"e	20' 0"e	16' 4"e	20' 9"	17' 0"	12' 6"e
1400S250-97	50	27' 7"	25' 1"	21' 3"e	30' 1"	26' 1"	21' 3"	25' 1"	22' 9"	19' 10"e	28' 2"	25' 7"	21' 3"
1400S250-118	50	29' 7"	26' 10"	23' 6"	33' 2"	30' 1"	24' 6"	26' 10"	24' 4"	21' 3"	30' 2"	27' 4"	24' 0"
1400S300-54	50	17' 9"e	13' 4"e	8' 10"e	13' 2"e	10' 2"e	7' 0"e	17' 9"e	13' 4"e	8' 10"e	13' 2"e	10' 2"e	7' 0"e
1400S300-68	50	23' 8"e	20' 6"e	16' 9"e	21' 0"	17' 2"	12' 6"e	22' 4"e	20' 4"e	16' 9"e	21' 0"	17' 2"	12' 6"e
1400S300-97	50	28' 4"	25' 9"	21' 9"e	30' 9"	26' 8"	21' 9"	25' 9"	23' 4"	20' 6"e	28' 10"	26' 3"	21' 9"
1400S300-118	50	30' 7"	27' 9"	24' 3"	34' 3"	30' 9"	25' 2"	27' 9"	25' 2"	22' 0"	31' 2"	28' 3"	24' 8"
1400S350-54	50	17' 9"e	13' 4"e	8' 10"e	13' 6"e	10' 4"e	7' 0"e	17' 9"e	13' 4"e	8' 10"e	13' 6"e	10' 4"e	7' 0"e
1400S350-68	50	25' 7"e	22' 2"e	17' 10"e	22' 8"	18' 2"	13' 1"e	24' 1"e	21' 10"e	17' 10"e	22' 8"	18' 2"	13' 1"e
1400S350-97	50	30' 1"	27' 4"e	23' 8"e	33' 7"	29' 1"	23' 8"	27' 4"	24' 10"	21' 8"e	30' 8"	27' 10"	23' 8"
1400S350-118	50	32' 0"	29' 1"	25' 4"	36' 0"	32' 8"	27' 6"	29' 1"	26' 4"	23' 1"	32' 8"	29' 8"	25' 10"
1600S162-68	50	21' 7"e	18' 8"e	15' 3"e	19' 9"e	16' 0"e	11' 4"e	21' 7"e	18' 8"e	15' 3"e	19' 9"e	16' 0"e	11' 4"e
1600S162-97	50	28' 4"	24' 7"	20' 1"e	28' 4"	24' 7"	20' 1"	25' 10"	23' 7"	20' 1"e	28' 4"	24' 7"	20' 1"
1600S162-118	50	30' 8"	27' 10"	23' 3"	33' 0"	28' 6"	23' 3"	27' 10"	25' 3"	22' 1"	31' 3"	28' 4"	23' 3"
1600S200-68	50	23' 7"e	20' 4"e	15' 7"e	20' 4"e	16' 3"e	11' 7"e	23' 7"e	20' 4"e	15' 7"e	20' 4"e	16' 3"e	11' 7"e
1600S200-97	50	29' 7"	26' 7"e	21' 8"e	30' 8"	26' 7"	21' 7"	26' 10"	24' 6"	21' 4"e	30' 2"	26' 7"	21' 7"
1600S200-118	50	31' 9"	28' 10"	25' 2"	35' 7"	30' 9"	25' 2"	28' 10"	26' 3"	22' 10"	32' 4"	29' 6"	25' 2"
1600S250-68	50	24' 7"e	21' 3"e	15' 7"e	20' 6"e	16' 4"e	11' 7"e	24' 3"e	21' 3"e	15' 7"e	20' 6"e	16' 4"e	11' 7"e
1600S250-97	50	30' 8"	27' 8"e	22' 8"e	32' 0"	27' 8"	22' 8"	27' 10"	25' 3"	22' 1"e	31' 3"	27' 8"	22' 2"
1600S250-118	50	32' 10"	29' 10"	26' 1"e	36' 10"	32' 1"	26' 2"	29' 10"	27' 2"	23' 8"	33' 7"	30' 6"	26' 2"
1600S300-68	50	25' 0"e	21' 8"e	15' 7"e	20' 7"e	16' 4"e	11' 8"e	24' 9"e	21' 8"e	15' 7"e	20' 7"e	16' 4"e	11' 8"e
1600S300-97	50	31' 4"	28' 6"e	23' 3"e	32' 10"	28' 6"	22' 8"	28' 7"	25' 10"	22' 8"e	32' 1"	28' 6"	22' 8"
1600S300-118	50	33' 10"	30' 9"	26' 10"e	38' 1"	33' 0"	27' 0"	30' 9"	28' 0"	24' 6"	34' 7"	31' 4"	27' 0"
1600S350-68	50	26' 9"e	23' 2"e	15' 7"e	21' 7"e	17' 0"e	11' 10"e	26' 2"e	23' 2"e	15' 7"e	21' 7"e	17' 0"e	11' 10"e
1600S350-97	50	33' 1"	30' 1"e	25' 2"e	35' 7"	30' 6"	23' 9"e	30' 1"	27' 3"e	23' 10"e	33' 8"	30' 6"	23' 9"e
1600S350-118	50	35' 6"	32' 2"	28' 1"e	39' 9"	35' 10"	29' 3"	32' 2"	29' 3"	25' 7"e	36' 2"	32' 10"	28' 8"

GENERAL NOTES:

- Spans are based on continuous lateral support of the compression flange over the full joist length.
- Tension flange must be laterally braced at a maximum spacing of 8'-0".
- Joists must be braced against rotation at all supports.
- Distortional buckling calculations are based on $K\phi = 0$.
- For two equal spans, the listed span is the distance from either end to the continuous centre support.
- End web crippling check is based on 3.5" end bearing. Where listed spans are followed by "e", web stiffeners are required at end supports.
- Web stiffeners are required at interior supports.
- Total load (TL) deflection is based on L/240 and live load (LL) deflection is based on either L/360 or L/480.

BAILEY MAXIMUM FLOOR JOIST SPANS (ft)

Joist Member	F _y (ksi)	25 psf Dead Load 100 psf Live Load											
		TL Deflection = L/240, LL Deflection = L/360						TL Deflection = L/240, LL Deflection = L/480					
		SINGLE SPAN			TWO EQUAL SPANS			SINGLE SPAN			TWO EQUAL SPANS		
		Joist Spacing (in.) o.c.			Joist Spacing (in.) o.c.			Joist Spacing (in.) o.c.			Joist Spacing (in.) o.c.		
		12	16	24	12	16	24	12	16	24	12	16	24
600S162-33	33	7' 1"e	6' 1"e	4' 6"e	6' 0"e	4' 9"e	3' 4"e	7' 1"e	6' 1"e	4' 6"e	6' 0"e	4' 9"e	3' 4"e
600S162-43	33	8' 6"e	7' 3"e	6' 0"e	8' 6"e	7' 1"e	5' 4"e	8' 6"e	7' 3"e	6' 0"e	8' 6"e	7' 1"e	5' 4"e
600S162-54	50	10' 9"	9' 9"	8' 0"e	11' 3"	9' 9"	7' 8"	9' 9"	8' 10"	7' 9"e	11' 0"	9' 9"	7' 8"
600S162-68	50	11' 6"	10' 6"	9' 2"	13' 0"	11' 4"	9' 3"	10' 6"	9' 6"	8' 3"	11' 9"	10' 8"	9' 3"
600S162-97	50	12' 9"	11' 7"	10' 2"	14' 4"	13' 1"	11' 4"	11' 7"	10' 7"	9' 2"	13' 1"	11' 10"	10' 4"
600S162-118	50	13' 6"	12' 3"	10' 8"	15' 2"	13' 9"	12' 0"	12' 3"	11' 2"	9' 8"	13' 9"	12' 6"	10' 10"
600S200-33	33	7' 7"e	6' 7"e	4' 6"e	6' 1"e	4' 9"e	3' 4"e	7' 7"e	6' 7"e	4' 6"e	6' 1"e	4' 9"e	3' 4"e
600S200-43	33	9' 1"e	7' 10"e	6' 4"e	8' 8"e	7' 2"e	5' 6"e	9' 1"e	7' 10"e	6' 4"e	8' 8"e	7' 2"e	5' 6"e
600S200-54	50	11' 3"	10' 3"e	8' 6"e	11' 10"	10' 0"	7' 8"	10' 3"	9' 3"	8' 2"e	11' 6"	10' 0"	7' 8"
600S200-68	50	12' 1"	11' 0"	9' 7"	13' 7"	12' 1"	9' 9"	11' 0"	10' 0"	8' 9"	12' 4"	11' 3"	9' 9"
600S200-97	50	13' 6"	12' 3"	10' 8"	15' 1"	13' 9"	12' 0"	12' 3"	11' 1"	9' 8"	13' 9"	12' 6"	10' 10"
600S200-118	50	14' 3"	13' 0"	11' 3"	16' 0"	14' 6"	12' 8"	13' 0"	11' 9"	10' 3"	14' 6"	13' 2"	11' 6"
600S250-43	33	9' 3"e	8' 1"e	6' 7"e	8' 9"e	7' 3"e	5' 6"e	9' 3"e	8' 1"e	6' 7"e	8' 9"e	7' 3"e	5' 6"e
600S250-54	50	11' 8"	10' 7"e	8' 8"e	12' 1"	10' 2"	7' 10"	10' 7"	9' 8"	8' 4"e	11' 10"	10' 2"	7' 10"
600S250-68	50	12' 8"	11' 6"	10' 1"e	14' 2"	12' 2"	9' 7"	11' 6"	10' 6"	9' 1"	12' 10"	11' 9"	9' 7"
600S250-97	50	14' 2"	12' 10"	11' 2"	15' 10"	14' 4"	12' 6"	12' 10"	11' 8"	10' 2"	14' 4"	13' 1"	11' 6"
600S250-118	50	15' 0"	13' 7"	11' 10"	16' 9"	15' 3"	13' 4"	13' 7"	12' 4"	10' 9"	15' 3"	13' 10"	12' 1"
600S300-54	50	12' 0"	10' 10"e	8' 10"e	12' 3"	10' 3"	8' 0"	10' 10"	9' 10"e	8' 7"e	12' 2"	10' 3"	8' 0"
600S300-68	50	13' 0"	11' 9"	10' 3"e	14' 7"	12' 4"	9' 9"	11' 9"	10' 9"	9' 4"	13' 3"	12' 1"	9' 9"
600S300-97	50	14' 8"	13' 3"	11' 8"	16' 6"	15' 0"	12' 3"	13' 3"	12' 1"	10' 7"	15' 0"	13' 7"	11' 10"
600S300-118	50	15' 8"	14' 2"	12' 4"	17' 7"	16' 0"	13' 9"	14' 2"	12' 10"	11' 3"	16' 0"	14' 6"	12' 8"
800S162-33	33	6' 8"e	5' 0"e	3' 3"e	5' 1"e	3' 10"e	2' 7"e	6' 8"e	5' 0"e	3' 3"e	5' 1"e	3' 10"e	2' 7"e
800S162-43	33	9' 10"e	8' 6"e	7' 0"e	8' 8"e	7' 1"e	5' 2"e	9' 10"e	8' 6"e	7' 0"e	8' 8"e	7' 1"e	5' 2"e
800S162-54	50	13' 2"e	11' 4"e	9' 3"e	13' 0"	11' 0"	8' 4"e	12' 2"	11' 1"e	9' 3"e	13' 0"	11' 0"	8' 4"e
800S162-68	50	14' 7"	13' 2"	10' 10"e	15' 4"	13' 3"	10' 8"	13' 2"	12' 0"	10' 6"e	14' 9"	13' 3"	10' 8"
800S162-97	50	16' 2"	14' 8"	12' 10"	18' 2"	16' 6"	13' 7"	14' 8"	13' 4"	11' 8"	16' 6"	15' 0"	13' 1"
800S162-118	50	17' 1"	15' 7"	13' 7"	19' 2"	17' 6"	15' 3"	15' 7"	14' 1"	12' 4"	17' 6"	15' 10"	13' 10"
800S200-43	33	10' 7"e	9' 2"e	7' 4"e	9' 3"e	7' 6"e	5' 4"e	10' 7"e	9' 2"e	7' 4"e	9' 3"e	7' 6"e	5' 4"e
800S200-54	50	14' 1"e	12' 2"e	10' 0"e	14' 1"	11' 9"	9' 0"e	12' 10"e	11' 8"e	10' 0"e	14' 1"	11' 9"	9' 0"e
800S200-68	50	15' 3"	13' 10"	11' 8"e	16' 6"	14' 3"	11' 8"	13' 10"	12' 7"	11' 0"e	15' 7"	14' 1"	11' 8"
800S200-97	50	17' 0"	15' 4"	13' 6"	19' 1"	17' 3"	14' 8"	15' 4"	14' 0"	12' 2"	17' 3"	15' 8"	13' 8"
800S200-118	50	18' 0"	16' 3"	14' 3"	20' 2"	18' 3"	16' 0"	16' 3"	14' 9"	13' 0"	18' 3"	16' 8"	14' 7"
800S250-43	33	10' 10"e	9' 4"e	7' 4"e	9' 4"e	7' 7"e	5' 4"e	10' 10"e	9' 4"e	7' 4"e	9' 4"e	7' 7"e	5' 4"e
800S250-54	50	14' 4"e	12' 6"e	10' 2"e	14' 2"	11' 10"	9' 0"e	13' 3"e	12' 1"e	10' 2"e	14' 2"	11' 10"	9' 0"e
800S250-68	50	15' 10"	14' 4"e	12' 0"e	16' 10"	14' 7"	11' 7"	14' 4"	13' 1"	11' 4"e	16' 2"	14' 7"	11' 7"
800S250-97	50	17' 8"	16' 1"	14' 1"	19' 10"	18' 1"	15' 1"	16' 1"	14' 7"	12' 9"	18' 1"	16' 4"	14' 4"
800S250-118	50	18' 9"	17' 1"	14' 10"	21' 1"	19' 2"	16' 9"	17' 1"	15' 6"	13' 7"	19' 2"	17' 4"	15' 2"
800S300-54	50	14' 7"e	12' 8"e	10' 4"e	14' 2"	11' 10"	9' 0"e	13' 7"e	12' 4"e	10' 4"e	14' 2"	11' 10"	9' 0"e
800S300-68	50	16' 3"	14' 9"e	12' 2"e	17' 2"	14' 10"	11' 9"	14' 9"	13' 4"	11' 8"e	16' 7"	14' 10"	11' 9"
800S300-97	50	18' 3"	16' 8"	14' 7"	20' 7"	18' 8"	15' 6"	16' 8"	15' 1"	13' 2"	18' 8"	17' 0"	14' 9"
800S300-118	50	19' 7"	17' 9"	15' 6"	22' 0"	20' 0"	17' 4"	17' 9"	16' 2"	14' 1"	20' 0"	18' 1"	15' 9"
1000S162-33	33	5' 3"e	4' 0"e	2' 8"e	4' 2"e	3' 2"e	2' 1"e	5' 3"e	4' 0"e	2' 8"e	4' 2"e	3' 2"e	2' 1"e
1000S162-43	33	11' 0"e	8' 10"e	5' 10"e	8' 3"e	6' 6"e	4' 6"e	11' 0"e	8' 10"e	5' 10"e	8' 3"e	6' 6"e	4' 6"e
1000S162-54	50	14' 7"e	12' 8"e	10' 3"e	13' 6"	11' 0"	8' 1"	14' 6"e	12' 8"e	10' 3"e	13' 6"	11' 0"	8' 1"
1000S162-68	50	17' 3"	14' 10"e	12' 2"e	17' 3"	14' 10"	11' 9"	15' 8"	14' 3"e	12' 2"e	17' 3"	14' 10"	11' 9"
1000S162-97	50	19' 6"	17' 8"	15' 6"	21' 10"	19' 1"	15' 7"	17' 8"	16' 1"	14' 1"	19' 10"	18' 1"	15' 7"
1000S162-118	50	20' 8"	18' 9"	16' 4"	23' 2"	21' 1"	17' 9"	18' 9"	17' 1"	14' 10"	21' 1"	19' 1"	16' 8"
1000S200-43	33	11' 9"e	8' 10"e	5' 10"e	8' 6"e	6' 7"e	4' 7"e	11' 9"e	8' 10"e	5' 10"e	8' 6"e	6' 7"e	4' 7"e
1000S200-54	50	15' 9"e	13' 8"e	11' 2"e	13' 9"	11' 3"	8' 2"e	15' 2"e	13' 8"e	11' 2"e	13' 9"	11' 3"	8' 2"e
1000S200-68	50	18' 1"	16' 1"e	13' 1"e	18' 6"	15' 9"	12' 3"e	16' 6"	15' 0"e	13' 1"e	18' 6"	15' 9"	12' 3"e
1000S200-97	50	20' 4"	18' 6"	16' 2"	22' 10"	20' 4"	16' 8"	18' 6"	16' 9"	14' 8"	20' 9"	18' 10"	16' 6"
1000S200-118	50	21' 7"	19' 7"	17' 1"	24' 2"	22' 0"	18' 10"	19' 7"	17' 9"	15' 7"	22' 0"	20' 0"	17' 6"
1000S250-43	33	11' 9"e	8' 10"e	5' 10"e	8' 7"e	6' 8"e	4' 7"e	11' 9"e	8' 10"e	5' 10"e	8' 7"e	6' 8"e	4' 7"e
1000S250-54	50	16' 2"e	14' 0"e	11' 6"e	14' 2"	11' 6"	8' 4"e	15' 10"e	14' 0"e	11' 6"e	14' 2"	11' 6"	8' 4"e
1000S250-68	50	18' 10"e	16' 6"e	13' 6"e	19' 1"	16' 6"	12' 10"e	17' 2"	15' 7"e	13' 6"e	19' 1"	16' 6"	12' 10"e
1000S250-97	50	21' 2"	19' 3"	16' 9"	23' 9"	21' 1"	17' 2"	19' 3"	17' 6"	15' 3"	21' 7"	19' 8"	17' 2"
1000S250-118	50	22' 6"	20' 4"	17' 10"	25' 3"	23' 0"	19' 7"	20' 4"	18' 7"	16' 2"	23' 0"	20' 10"	18' 2"
1000S300-54	50	16' 4"e	14' 2"e	11' 7"e	14' 3"	11' 7"	8' 4"e	16' 1"e	14' 2"e	11' 7"e	14' 3"	11' 7"	8' 4"e
1000S300-68	50	19' 4"e	16' 9"e	13' 8"e	19' 4"	16' 9"	13' 0"e	17' 7"	16' 0"e	13' 8"e	19' 4"	16' 9"	13' 0"e
1000S300-97	50	21' 10"	19' 10"	17' 3"	24' 6"	21' 6"	17' 6"	19' 10"	18' 0"	15' 9"	22' 3"	20' 3"	17' 6"
1000S300-118	50	23' 3"	21' 2"	18' 6"	26' 2"	23' 9"	20' 1"	21' 2"	19' 3"	16' 9"	23' 9"	21' 7"	18' 10"
1000S350-54	50	18' 0"e	15' 7"e	11' 8"e	15' 1"	12' 1"	8' 7"e	17' 0"e	15' 6"e	11' 8"e	15' 1"	12' 1"	8' 7"e
1000S350-68	50	20' 6"e	18' 4"e	15' 1"e	21' 3"	18' 1"	13' 10"e	18' 7"e	16' 10"e	14' 9"e	20' 10"	18' 1"	13' 10"e
1000S350-97	50	23' 1"	21' 0"	18' 3"e	25' 10"	23' 6"	19' 3"	21' 0"	19' 1"	16' 7"	23' 6"	21' 4"	18' 8"
1000S350-118	50	24' 6"	22' 3"	19' 6"	27' 6"	25' 0"	21' 10"	22' 3"	20' 2"	17' 8"	25' 0"	22' 8"	19' 10"

BAILEY MAXIMUM FLOOR JOIST SPANS (ft)

Joist Member	F _y (ksi)	25 psf Dead Load 100 psf Live Load											
		TL Deflection = L/240, LL Deflection = L/360						TL Deflection = L/240, LL Deflection = L/480					
		SINGLE SPAN			TWO EQUAL SPANS			SINGLE SPAN			TWO EQUAL SPANS		
		Joist Spacing (in.) o.c.			Joist Spacing (in.) o.c.			Joist Spacing (in.) o.c.			Joist Spacing (in.) o.c.		
		12	16	24	12	16	24	12	16	24	12	16	24
1200S162-43	33	9' 9"	7' 3"	4' 10"	7' 4"	5' 8"	3' 10"	9' 9"	7' 3"	4' 10"	7' 4"	5' 8"	3' 10"
1200S162-54	50	15' 9"	13' 8"	9' 8"	13' 1"	10' 4"	7' 3"	15' 9"	13' 8"	9' 8"	13' 1"	10' 4"	7' 3"
1200S162-68	50	18' 8"	16' 2"	13' 2"	18' 8"	15' 7"	11' 10"	18' 2"	16' 2"	13' 2"	18' 8"	15' 7"	11' 10"
1200S162-97	50	22' 8"	20' 7"	17' 1"	24' 2"	21' 0"	17' 1"	20' 7"	18' 8"	16' 3"	23' 1"	21' 0"	17' 1"
1200S162-118	50	24' 1"	21' 10"	19' 2"	27' 1"	24' 1"	19' 8"	21' 10"	19' 10"	17' 4"	24' 7"	22' 4"	19' 6"
1200S200-54	50	17' 1"	14' 7"	9' 8"	13' 3"	10' 6"	7' 4"	17' 1"	14' 7"	9' 8"	13' 3"	10' 6"	7' 4"
1200S200-68	50	20' 2"	17' 6"	14' 3"	19' 7"	16' 3"	12' 3"	18' 10"	17' 2"	14' 3"	19' 7"	16' 3"	12' 3"
1200S200-97	50	23' 7"	21' 4"	18' 4"	26' 0"	22' 6"	18' 4"	21' 4"	19' 6"	17' 0"	24' 1"	21' 10"	18' 4"
1200S200-118	50	25' 1"	22' 9"	20' 0"	28' 2"	25' 7"	21' 1"	22' 9"	20' 9"	18' 1"	25' 7"	23' 3"	20' 3"
1200S250-54	50	17' 8"	14' 7"	9' 8"	13' 4"	10' 7"	7' 4"	17' 8"	14' 7"	9' 8"	13' 4"	10' 7"	7' 4"
1200S250-68	50	20' 10"	18' 1"	14' 9"	19' 8"	16' 4"	12' 4"	19' 7"	17' 9"	14' 9"	19' 8"	16' 4"	12' 4"
1200S250-97	50	24' 6"	22' 3"	19' 0"	26' 10"	23' 3"	19' 0"	22' 3"	20' 2"	17' 8"	25' 0"	22' 8"	19' 0"
1200S250-118	50	26' 1"	23' 8"	20' 8"	29' 3"	26' 7"	21' 9"	23' 8"	21' 7"	18' 9"	26' 7"	24' 2"	21' 1"
1200S300-54	50	17' 10"	14' 7"	9' 8"	13' 7"	10' 8"	7' 4"	17' 10"	14' 7"	9' 8"	13' 7"	10' 8"	7' 4"
1200S300-68	50	21' 3"	18' 6"	15' 1"	20' 4"	16' 10"	12' 8"	20' 4"	18' 6"	15' 1"	20' 4"	16' 10"	12' 8"
1200S300-97	50	25' 3"	23' 0"	19' 4"	27' 4"	23' 9"	19' 4"	23' 0"	20' 10"	18' 2"	25' 9"	23' 4"	19' 4"
1200S300-118	50	27' 0"	24' 6"	21' 4"	30' 3"	27' 3"	22' 3"	24' 6"	22' 3"	19' 6"	27' 7"	25' 0"	21' 10"
1200S350-54	50	19' 4"	14' 7"	9' 8"	14' 1"	10' 10"	7' 6"	19' 4"	14' 7"	9' 8"	14' 1"	10' 10"	7' 6"
1200S350-68	50	23' 2"	20' 1"	16' 4"	21' 10"	18' 0"	13' 3"	21' 6"	19' 6"	16' 4"	21' 10"	18' 0"	13' 3"
1200S350-97	50	26' 7"	24' 2"	21' 1"	29' 10"	26' 0"	21' 2"	24' 2"	22' 0"	19' 2"	27' 2"	24' 8"	21' 2"
1200S350-118	50	28' 3"	25' 8"	22' 6"	31' 9"	28' 10"	24' 4"	25' 8"	23' 4"	20' 4"	28' 10"	26' 2"	22' 10"
1400S162-54	50	16' 7"	12' 6"	8' 3"	12' 2"	9' 4"	6' 6"	16' 7"	12' 6"	8' 3"	12' 2"	9' 4"	6' 6"
1400S162-68	50	19' 10"	17' 2"	14' 1"	19' 1"	15' 7"	11' 6"	19' 10"	17' 2"	14' 1"	19' 1"	15' 7"	11' 6"
1400S162-97	50	25' 7"	22' 6"	18' 3"	25' 10"	22' 6"	18' 3"	23' 3"	21' 2"	18' 3"	25' 10"	22' 6"	18' 3"
1400S162-118	50	27' 6"	25' 0"	21' 2"	30' 0"	26' 0"	21' 2"	25' 0"	22' 8"	19' 9"	28' 0"	25' 6"	21' 2"
1400S200-54	50	16' 7"	12' 6"	8' 3"	12' 3"	9' 6"	6' 6"	16' 7"	12' 6"	8' 3"	12' 3"	9' 6"	6' 6"
1400S200-68	50	21' 7"	18' 8"	15' 3"	19' 9"	16' 1"	11' 8"	21' 3"	18' 8"	15' 3"	19' 9"	16' 1"	11' 8"
1400S200-97	50	26' 8"	24' 2"	19' 9"	28' 0"	24' 2"	19' 9"	24' 2"	22' 0"	19' 2"	27' 2"	24' 2"	19' 9"
1400S200-118	50	28' 7"	25' 10"	22' 8"	32' 1"	27' 10"	22' 9"	25' 10"	23' 7"	20' 7"	29' 1"	26' 6"	22' 9"
1400S250-54	50	16' 7"	12' 6"	8' 3"	12' 4"	9' 6"	6' 6"	16' 7"	12' 6"	8' 3"	12' 4"	9' 6"	6' 6"
1400S250-68	50	22' 4"	19' 4"	15' 10"	19' 9"	16' 1"	11' 9"	22' 0"	19' 4"	15' 10"	19' 9"	16' 1"	11' 9"
1400S250-97	50	27' 7"	25' 1"	20' 6"	29' 0"	25' 2"	20' 6"	25' 1"	22' 9"	19' 10"	28' 2"	25' 2"	20' 6"
1400S250-118	50	29' 7"	26' 10"	23' 6"	33' 2"	29' 0"	23' 8"	26' 10"	24' 4"	21' 3"	30' 2"	27' 4"	23' 8"
1400S300-54	50	16' 7"	12' 6"	8' 3"	12' 4"	9' 7"	6' 6"	16' 7"	12' 6"	8' 3"	12' 4"	9' 7"	6' 6"
1400S300-68	50	22' 10"	19' 9"	16' 2"	20' 0"	16' 3"	11' 9"	22' 4"	19' 9"	16' 2"	20' 0"	16' 3"	11' 9"
1400S300-97	50	28' 4"	25' 9"	21' 0"	29' 8"	25' 9"	21' 0"	25' 9"	23' 4"	20' 6"	28' 10"	25' 9"	21' 0"
1400S300-118	50	30' 7"	27' 9"	24' 3"	34' 3"	29' 8"	24' 3"	27' 9"	25' 2"	22' 0"	31' 2"	28' 3"	24' 3"
1400S350-54	50	16' 7"	12' 6"	8' 3"	12' 8"	9' 8"	6' 7"	16' 7"	12' 6"	8' 3"	12' 8"	9' 8"	6' 7"
1400S350-68	50	24' 8"	21' 4"	16' 8"	21' 6"	17' 2"	12' 3"	24' 1"	21' 4"	16' 8"	21' 6"	17' 2"	12' 3"
1400S350-97	50	30' 1"	27' 4"	22' 10"	32' 4"	28' 0"	22' 10"	27' 4"	24' 10"	21' 8"	30' 8"	27' 10"	22' 10"
1400S350-118	50	32' 0"	29' 1"	25' 4"	36' 0"	32' 4"	26' 6"	29' 1"	26' 4"	23' 1"	32' 8"	29' 8"	25' 10"
1600S162-68	50	20' 9"	18' 0"	14' 7"	18' 9"	15' 1"	10' 8"	20' 9"	18' 0"	14' 7"	18' 9"	15' 1"	10' 8"
1600S162-97	50	27' 4"	23' 8"	19' 4"	27' 4"	23' 8"	19' 4"	25' 10"	23' 7"	19' 4"	27' 4"	23' 8"	19' 4"
1600S162-118	50	30' 8"	27' 6"	22' 6"	31' 9"	27' 6"	22' 6"	27' 10"	25' 3"	22' 1"	31' 3"	27' 6"	22' 6"
1600S200-68	50	22' 8"	19' 8"	14' 7"	19' 3"	15' 4"	10' 10"	22' 8"	19' 8"	14' 7"	19' 3"	15' 4"	10' 10"
1600S200-97	50	29' 7"	25' 8"	21' 0"	29' 8"	25' 8"	20' 8"	26' 10"	24' 6"	21' 0"	29' 8"	25' 8"	20' 8"
1600S200-118	50	31' 9"	28' 10"	24' 3"	34' 3"	29' 8"	24' 3"	28' 10"	26' 3"	22' 10"	32' 4"	29' 6"	24' 3"
1600S250-68	50	23' 8"	20' 6"	14' 7"	19' 4"	15' 4"	10' 10"	23' 8"	20' 6"	14' 7"	19' 4"	15' 4"	10' 10"
1600S250-97	50	30' 8"	26' 9"	21' 10"	30' 10"	26' 9"	21' 3"	27' 10"	25' 3"	21' 10"	30' 10"	26' 9"	21' 3"
1600S250-118	50	32' 10"	29' 10"	25' 3"	35' 9"	31' 0"	25' 3"	29' 10"	27' 2"	23' 8"	33' 7"	30' 6"	25' 3"
1600S300-68	50	24' 2"	20' 10"	14' 7"	19' 6"	15' 6"	10' 10"	24' 2"	20' 10"	14' 7"	19' 6"	15' 6"	10' 10"
1600S300-97	50	31' 4"	27' 6"	22' 6"	31' 9"	27' 6"	21' 8"	28' 7"	25' 10"	22' 6"	31' 9"	27' 6"	21' 8"
1600S300-118	50	33' 10"	30' 9"	26' 0"	36' 9"	31' 10"	26' 0"	30' 9"	28' 0"	24' 6"	34' 7"	31' 4"	26' 0"
1600S350-68	50	25' 10"	21' 9"	14' 7"	26' 4"	16' 0"	11' 1"	25' 10"	21' 9"	14' 7"	26' 4"	16' 0"	11' 1"
1600S350-97	50	33' 1"	29' 9"	24' 3"	34' 4"	29' 2"	22' 8"	30' 1"	27' 3"	23' 10"	33' 8"	29' 2"	22' 8"
1600S350-118	50	35' 6"	32' 2"	28' 1"	39' 9"	34' 7"	28' 3"	32' 2"	29' 3"	25' 7"	36' 2"	32' 10"	28' 3"

GENERAL NOTES:

1. Spans are based on continuous lateral support of the compression flange over the full joist length.
2. Tension flange must be laterally braced at a maximum spacing of 8'-0".
3. Joists must be braced against rotation at all supports.
4. Distortional buckling calculations are based on K_φ = 0.
5. For two equal spans, the listed span is the distance from either end to the continuous centre support.
6. End web crippling check is based on 3.5" end bearing. Where listed spans are followed by "e", web stiffeners are required at end supports.
7. Web stiffeners are required at interior supports.
8. Total load (TL) deflection is based on L/240 and live load (LL) deflection is based on either L/360 or L/480.

BAILEY MAXIMUM FLOOR JOIST SPANS (ft)

Joist Member	F _y (ksi)	35 psf Dead Load 100 psf Live Load											
		TL Deflection = L/240, LL Deflection = L/360						TL Deflection = L/240, LL Deflection = L/480					
		SINGLE SPAN			TWO EQUAL SPANS			SINGLE SPAN			TWO EQUAL SPANS		
		Joist Spacing (in.) o.c.			Joist Spacing (in.) o.c.			Joist Spacing (in.) o.c.			Joist Spacing (in.) o.c.		
		12	16	24	12	16	24	12	16	24	12	16	24
600S162-33	33	6' 10"e	5' 10"e	4' 2"e	5' 8"e	4' 6"e	3' 2"e	6' 10"e	5' 10"e	4' 2"e	5' 8"e	4' 6"e	3' 2"e
600S162-43	33	8' 2"e	7' 1"e	5' 9"e	8' 2"e	6' 9"e	5' 2"e	8' 2"e	7' 1"e	5' 9"e	8' 2"e	6' 9"e	5' 2"e
600S162-54	50	10' 9"	9' 6"e	7' 8"e	10' 10"	9' 6"	7' 4"	9' 9"	8' 10"	7' 8"e	10' 10"	9' 6"	7' 4"
600S162-68	50	11' 6"	10' 6"	9' 0"	12' 8"	11' 0"	9' 0"	10' 6"	9' 6"	8' 3"	11' 9"	10' 8"	9' 0"
600S162-97	50	12' 9"	11' 7"	10' 2"	14' 4"	13' 1"	11' 1"	11' 7"	10' 7"	9' 2"	13' 1"	11' 10"	10' 4"
600S162-118	50	13' 6"	12' 3"	10' 8"	15' 2"	13' 9"	11' 9"	12' 3"	11' 2"	9' 8"	13' 9"	12' 6"	10' 10"
600S200-33	33	7' 3"e	6' 3"e	4' 2"e	5' 9"e	4' 7"e	3' 2"e	7' 3"e	6' 3"e	4' 2"e	5' 9"e	4' 7"e	3' 2"e
600S200-43	33	8' 9"e	7' 7"e	6' 2"e	8' 3"e	6' 10"e	5' 2"e	8' 9"e	7' 7"e	6' 2"e	8' 3"e	6' 10"e	5' 2"e
600S200-54	50	11' 3"	10' 1"e	8' 2"e	11' 4"	9' 7"	7' 4"	10' 3"	9' 3"e	8' 2"e	11' 4"	9' 7"	7' 4"
600S200-68	50	12' 1"	11' 0"	9' 7"e	13' 6"	11' 8"	9' 4"	11' 0"	10' 0"	8' 9"	12' 4"	11' 3"	9' 4"
600S200-97	50	13' 6"	12' 3"	10' 8"	15' 1"	13' 9"	11' 8"	12' 3"	11' 1"	9' 8"	13' 9"	12' 6"	10' 10"
600S200-118	50	14' 3"	13' 0"	11' 3"	16' 0"	14' 6"	12' 4"	13' 0"	11' 9"	10' 3"	14' 6"	13' 2"	11' 6"
600S250-43	33	9' 0"e	7' 9"e	6' 4"e	8' 6"e	7' 0"e	5' 3"e	9' 0"e	7' 9"e	6' 4"e	8' 6"e	7' 0"e	5' 3"e
600S250-54	50	11' 8"	10' 4"e	8' 6"e	11' 8"	9' 9"	7' 6"	10' 7"	9' 8"e	8' 4"e	11' 8"	9' 9"	7' 6"
600S250-68	50	12' 8"	11' 6"	9' 9"e	13' 9"	11' 8"	9' 2"	11' 6"	10' 6"	9' 1"	12' 10"	11' 8"	9' 2"
600S250-97	50	14' 2"	12' 10"	11' 2"	15' 10"	14' 4"	12' 0"	12' 10"	11' 8"	10' 2"	14' 4"	13' 1"	11' 6"
600S250-118	50	15' 0"	13' 7"	11' 10"	16' 9"	15' 3"	12' 9"	13' 7"	12' 4"	10' 9"	15' 3"	13' 10"	12' 1"
600S300-54	50	12' 0"	10' 6"e	8' 7"e	11' 9"	9' 10"	7' 7"	10' 10"	9' 10"e	8' 7"e	11' 9"	9' 10"	7' 7"
600S300-68	50	13' 0"	11' 9"	10' 0"e	14' 1"	12' 0"	9' 4"	11' 9"	10' 9"	9' 4"e	13' 3"	12' 0"	9' 4"
600S300-97	50	14' 8"	13' 3"	11' 8"	16' 6"	15' 0"	11' 10"	13' 3"	12' 1"	10' 7"	15' 0"	13' 7"	11' 10"
600S300-118	50	15' 8"	14' 2"	12' 4"	17' 7"	16' 0"	13' 3"	14' 2"	12' 10"	11' 3"	16' 0"	14' 6"	12' 8"
800S162-33	33	6' 3"e	4' 8"e	3' 1"e	4' 9"e	3' 7"e	2' 6"e	6' 3"e	4' 8"e	3' 1"e	4' 9"e	3' 7"e	2' 6"e
800S162-43	33	9' 6"e	8' 3"e	6' 9"e	8' 3"e	6' 9"e	4' 10"e	9' 6"e	8' 3"e	6' 9"e	8' 3"e	6' 9"e	4' 10"e
800S162-54	50	12' 8"e	11' 0"e	9' 0"e	12' 6"	10' 6"	8' 1"e	12' 2"e	11' 0"e	9' 0"e	12' 6"	10' 6"	8' 1"e
800S162-68	50	14' 7"	12' 10"	10' 6"e	14' 10"	12' 10"	10' 3"	13' 2"	12' 0"	10' 6"e	14' 9"	12' 10"	10' 3"
800S162-97	50	16' 2"	14' 8"	12' 10"	18' 2"	16' 3"	13' 1"	14' 8"	13' 4"	11' 8"	16' 6"	15' 0"	13' 1"
800S162-118	50	17' 1"	15' 7"	13' 7"	19' 2"	17' 6"	15' 3"	15' 7"	14' 1"	12' 4"	17' 6"	15' 10"	13' 10"
800S200-43	33	10' 3"e	8' 10"e	6' 10"e	8' 10"e	7' 1"e	5' 1"e	10' 3"e	8' 10"e	6' 10"e	8' 10"e	7' 1"e	5' 1"e
800S200-54	50	13' 7"e	11' 9"e	9' 7"e	13' 6"	11' 3"	8' 7"e	12' 10"e	11' 8"e	9' 7"e	13' 6"	11' 3"	8' 7"e
800S200-68	50	15' 3"	13' 9"e	11' 3"e	15' 10"	13' 9"	11' 3"	13' 10"	12' 7"	11' 0"e	15' 7"	13' 9"	11' 3"
800S200-97	50	17' 0"	15' 4"	13' 6"	19' 1"	17' 3"	14' 2"	15' 4"	14' 0"	12' 2"	17' 3"	15' 8"	13' 8"
800S200-118	50	18' 0"	16' 3"	14' 3"	20' 2"	18' 3"	16' 0"	16' 3"	14' 9"	13' 0"	18' 3"	16' 8"	14' 7"
800S250-43	33	10' 6"e	9' 1"e	6' 10"e	8' 10"e	7' 2"e	5' 1"e	10' 6"e	9' 1"e	6' 10"e	8' 10"e	7' 2"e	5' 1"e
800S250-54	50	14' 0"e	12' 1"e	9' 10"e	13' 7"	11' 4"	8' 7"e	13' 3"e	12' 1"e	9' 10"e	13' 7"	11' 4"	8' 7"e
800S250-68	50	15' 10"	14' 2"e	11' 7"e	16' 4"	14' 2"	11' 1"	14' 4"	13' 1"	11' 4"e	16' 2"	14' 2"	11' 1"
800S250-97	50	17' 8"	16' 1"	14' 1"	19' 10"	17' 10"	14' 7"	16' 1"	14' 7"	12' 9"	18' 1"	16' 4"	14' 4"
800S250-118	50	18' 9"	17' 1"	14' 10"	21' 1"	19' 2"	16' 7"	17' 1"	15' 6"	13' 7"	19' 2"	17' 4"	15' 2"
800S300-54	50	14' 2"e	12' 3"e	10' 0"e	13' 8"	11' 4"	8' 7"e	13' 7"e	12' 3"e	10' 0"e	13' 8"	11' 4"	8' 7"e
800S300-68	50	16' 3"	14' 4"e	11' 9"e	16' 7"	14' 4"	11' 3"	14' 9"	13' 4"e	11' 8"e	16' 7"	14' 4"	11' 3"
800S300-97	50	18' 3"	16' 8"	14' 7"	20' 7"	18' 3"	14' 10"	16' 8"	15' 1"	13' 2"	18' 8"	17' 0"	14' 9"
800S300-118	50	19' 7"	17' 9"	15' 6"	22' 0"	20' 0"	17' 0"	17' 9"	16' 2"	14' 1"	20' 0"	18' 1"	15' 9"
1000S162-33	33	5' 0"e	3' 8"e	2' 6"e	3' 10"e	3' 0"e	2' 0"e	5' 0"e	3' 8"e	2' 6"e	3' 10"e	3' 0"e	2' 0"e
1000S162-43	33	10' 7"e	8' 3"e	5' 6"e	7' 9"e	6' 1"e	4' 3"e	10' 7"e	8' 3"e	5' 6"e	7' 9"e	6' 1"e	4' 3"e
1000S162-54	50	14' 2"e	12' 3"e	10' 0"e	12' 10"	10' 6"	7' 8"e	14' 2"e	12' 3"e	10' 0"e	12' 10"	10' 6"	7' 8"e
1000S162-68	50	16' 8"	14' 6"e	11' 9"e	16' 8"	14' 6"	11' 3"	15' 8"	14' 3"e	11' 9"e	16' 8"	14' 6"	11' 3"
1000S162-97	50	19' 6"	17' 8"	15' 1"	21' 3"	18' 6"	15' 1"	17' 8"	16' 1"	14' 1"	19' 10"	18' 1"	15' 1"
1000S162-118	50	20' 8"	18' 9"	16' 4"	23' 2"	21' 1"	17' 1"	18' 9"	17' 1"	14' 10"	21' 1"	19' 1"	16' 8"
1000S200-43	33	11' 0"e	8' 3"e	5' 6"e	8' 0"e	6' 2"e	4' 3"e	11' 0"e	8' 3"e	5' 6"e	8' 0"e	6' 2"e	4' 3"e
1000S200-54	50	15' 3"e	13' 2"e	10' 9"e	13' 2"	10' 8"	7' 9"e	15' 2"e	13' 2"e	10' 9"e	13' 2"	10' 8"	7' 9"e
1000S200-68	50	17' 10"e	15' 6"e	12' 8"e	17' 10"	15' 2"	11' 9"e	16' 6"	15' 0"e	12' 8"e	17' 10"	15' 2"	11' 9"e
1000S200-97	50	20' 4"	18' 6"	16' 1"	22' 9"	19' 9"	16' 1"	18' 6"	16' 9"	14' 8"	20' 9"	18' 10"	16' 1"
1000S200-118	50	21' 7"	19' 7"	17' 1"	24' 2"	22' 0"	18' 2"	19' 7"	17' 9"	15' 7"	22' 0"	20' 0"	17' 6"
1000S250-43	33	11' 0"e	8' 3"e	5' 6"e	8' 1"e	6' 3"e	4' 3"e	11' 0"e	8' 3"e	5' 6"e	8' 1"e	6' 3"e	4' 3"e
1000S250-54	50	15' 8"e	13' 7"e	11' 0"e	13' 7"	11' 0"	7' 10"e	15' 8"e	13' 7"e	11' 0"e	13' 7"	11' 0"	7' 10"e
1000S250-68	50	18' 4"e	16' 0"e	13' 0"e	18' 4"	16' 0"	12' 4"e	17' 2"	15' 7"e	13' 0"e	18' 4"	16' 0"	12' 4"e
1000S250-97	50	21' 2"	19' 3"	16' 7"e	23' 6"	20' 4"	16' 7"	19' 3"	17' 6"	15' 3"	21' 7"	19' 8"	16' 7"
1000S250-118	50	22' 6"	20' 4"	17' 10"	25' 3"	23' 0"	19' 0"	20' 4"	18' 7"	16' 2"	23' 0"	20' 10"	18' 2"
1000S300-54	50	15' 10"e	13' 8"e	11' 0"e	13' 7"	11' 0"	7' 10"e	15' 10"e	13' 8"e	11' 0"e	13' 7"	11' 0"	7' 10"e
1000S300-68	50	18' 9"e	16' 2"e	13' 3"e	18' 9"	16' 1"	12' 4"e	17' 7"e	16' 0"e	13' 3"e	18' 9"	16' 1"	12' 4"e
1000S300-97	50	21' 10"	19' 10"	17' 0"e	24' 0"	20' 9"	17' 0"	19' 10"	18' 0"	15' 9"	22' 3"	20' 3"	17' 0"
1000S300-118	50	23' 3"	21' 2"	18' 6"	26' 2"	23' 9"	19' 4"	21' 2"	19' 3"	16' 9"	23' 9"	21' 7"	18' 10"
1000S350-54	50	17' 4"e	15' 1"e	11' 0"e	14' 4"	11' 6"e	8' 2"e	17' 0"e	15' 1"e	11' 0"e	14' 4"	11' 6"e	8' 2"e
1000S350-68	50	20' 6"e	17' 9"e	14' 7"e	20' 7"	17' 3"e	13' 2"e	18' 7"e	16' 10"e	14' 7"e	20' 7"	17' 3"e	13' 2"e
1000S350-97	50	23' 1"	21' 0"	18' 3"e	25' 10"	22' 10"	18' 7"	21' 0"	19' 1"	16' 7"e	23' 6"	21' 4"	18' 7"
1000S350-118	50	24' 6"	22' 3"	19' 6"	27' 6"	25' 0"	21' 3"	22' 3"	20' 2"	17' 8"	25' 0"	22' 8"	19' 10"

BAILEY MAXIMUM FLOOR JOIST SPANS (ft)

Joist Member	F _y (ksi)	35 psf Dead Load 100 psf Live Load											
		TL Deflection = L/240, LL Deflection = L/360						TL Deflection = L/240, LL Deflection = L/480					
		SINGLE SPAN			TWO EQUAL SPANS			SINGLE SPAN			TWO EQUAL SPANS		
		Joist Spacing (in.) o.c.			Joist Spacing (in.) o.c.			Joist Spacing (in.) o.c.			Joist Spacing (in.) o.c.		
		12	16	24	12	16	24	12	16	24	12	16	24
1200S162-43	33	9' 2"e	6' 10"e	4' 7"e	7' 0"e	5' 3"e	3' 7"e	9' 2"e	6' 10"e	4' 7"e	7' 0"e	5' 3"e	3' 7"e
1200S162-54	50	15' 3"e	13' 2"e	9' 1"e	12' 4"e	9' 9"e	6' 10"e	15' 3"e	13' 2"e	9' 1"e	12' 4"e	9' 9"e	6' 10"e
1200S162-68	50	18' 1"e	15' 8"e	12' 9"e	18' 0"	15' 0"	11' 4"e	18' 1"e	15' 8"e	12' 9"e	18' 0"	15' 0"	11' 4"e
1200S162-97	50	22' 8"	20' 3"	16' 6"e	23' 4"	20' 3"	16' 6"	20' 7"	18' 8"	16' 3"e	23' 1"	20' 3"	16' 6"
1200S162-118	50	24' 1"	21' 10"	19' 0"	26' 10"	23' 3"	19' 0"	21' 10"	19' 10"	17' 4"	24' 7"	22' 4"	19' 0"
1200S200-54	50	16' 7"e	13' 7"e	9' 1"e	12' 7"e	10' 0"e	6' 10"e	16' 7"e	13' 7"e	9' 1"e	12' 7"e	10' 0"e	6' 10"e
1200S200-68	50	19' 7"e	16' 10"e	13' 9"e	18' 9"	15' 7"	11' 8"e	18' 10"e	16' 10"e	13' 9"e	18' 9"	15' 7"	11' 8"e
1200S200-97	50	23' 7"	21' 4"	17' 9"e	25' 1"	21' 9"	17' 9"	21' 4"	19' 6"	17' 0"e	24' 1"	21' 9"	17' 9"
1200S200-118	50	25' 1"	22' 9"	20' 0"	28' 2"	24' 10"	20' 4"	22' 9"	20' 9"	18' 1"	25' 7"	23' 3"	20' 3"
1200S250-54	50	17' 1"e	13' 7"e	9' 1"e	12' 8"e	10' 0"e	7' 0"e	17' 1"e	13' 7"e	9' 1"e	12' 8"e	10' 0"e	7' 0"e
1200S250-68	50	20' 2"e	17' 6"e	14' 3"e	18' 10"	15' 8"	11' 9"e	19' 7"e	17' 6"e	14' 3"e	18' 10"	15' 8"	11' 9"e
1200S250-97	50	24' 6"	22' 3"	18' 4"e	26' 0"	22' 6"	18' 4"	22' 3"	20' 2"	17' 8"e	25' 0"	22' 6"	18' 4"
1200S250-118	50	26' 1"	23' 8"	20' 8"	29' 3"	25' 9"	21' 1"	23' 8"	21' 7"	18' 9"	26' 7"	24' 2"	21' 1"
1200S300-54	50	17' 3"e	13' 7"e	9' 1"e	12' 10"e	10' 1"e	7' 0"e	17' 3"e	13' 7"e	9' 1"e	12' 10"e	10' 1"e	7' 0"e
1200S300-68	50	20' 7"e	17' 9"e	14' 7"e	19' 7"	16' 2"	12' 1"e	20' 4"e	17' 9"e	14' 7"e	19' 7"	16' 2"	12' 1"e
1200S300-97	50	25' 3"	23' 0"	18' 9"e	26' 6"	23' 0"	18' 9"	23' 0"	20' 10"	18' 2"e	25' 9"	23' 0"	18' 9"
1200S300-118	50	27' 0"	24' 6"	21' 4"	30' 3"	26' 4"	21' 7"	24' 6"	22' 3"	19' 6"	27' 7"	25' 0"	21' 7"
1200S350-54	50	18' 2"e	13' 7"e	9' 1"e	13' 3"e	10' 3"e	7' 1"e	18' 2"e	13' 7"e	9' 1"e	13' 3"e	10' 3"e	7' 1"e
1200S350-68	50	22' 4"e	19' 4"e	15' 10"e	21' 0"	17' 2"e	12' 7"e	21' 6"e	19' 4"e	15' 10"e	21' 0"	17' 2"e	12' 7"e
1200S350-97	50	26' 7"	24' 2"e	20' 6"e	29' 1"	25' 2"	20' 6"	24' 2"	22' 0"	19' 2"e	27' 2"	24' 8"	20' 6"
1200S350-118	50	28' 3"	25' 8"	22' 6"	31' 9"	28' 10"	23' 7"	25' 8"	23' 4"	20' 4"	28' 10"	26' 2"	22' 10"
1400S162-54	50	15' 6"e	11' 8"e	7' 9"e	11' 6"e	8' 10"e	6' 1"e	15' 6"e	11' 8"e	7' 9"e	11' 6"e	8' 10"e	6' 1"e
1400S162-68	50	19' 2"e	16' 8"e	13' 7"e	18' 2"	14' 10"	10' 10"e	19' 2"e	16' 8"e	13' 7"e	18' 2"	14' 10"	10' 10"e
1400S162-97	50	25' 1"	21' 8"	17' 8"e	25' 1"	21' 8"	17' 8"	23' 3"	21' 2"	17' 8"e	25' 1"	21' 8"	17' 8"
1400S162-118	50	27' 6"	25' 0"	20' 6"	29' 0"	25' 1"	20' 6"	25' 0"	22' 8"	19' 9"	28' 0"	25' 1"	20' 6"
1400S200-54	50	15' 6"e	11' 8"e	7' 9"e	11' 7"e	8' 10"e	6' 1"e	15' 6"e	11' 8"e	7' 9"e	11' 7"e	8' 10"e	6' 1"e
1400S200-68	50	20' 10"e	18' 1"e	14' 9"e	18' 10"	15' 3"	11' 1"e	20' 10"e	18' 1"e	14' 9"e	18' 10"	15' 3"	11' 1"e
1400S200-97	50	26' 8"	23' 4"e	19' 1"e	27' 1"	23' 4"	19' 1"	24' 2"	22' 0"	19' 1"e	27' 1"	23' 4"	19' 1"
1400S200-118	50	28' 7"	25' 10"	22' 1"	31' 2"	27' 0"	22' 1"	25' 10"	23' 7"	20' 7"	29' 1"	26' 6"	22' 1"
1400S250-54	50	15' 6"e	11' 8"e	7' 9"e	11' 8"e	9' 0"e	6' 1"e	15' 6"e	11' 8"e	7' 9"e	11' 8"e	9' 0"e	6' 1"e
1400S250-68	50	21' 8"e	18' 9"e	15' 3"e	18' 10"	15' 4"	11' 1"e	21' 8"e	18' 9"e	15' 3"e	18' 10"	15' 4"	11' 1"e
1400S250-97	50	27' 7"	24' 3"e	19' 10"e	28' 1"	24' 3"	19' 9"	25' 1"	22' 9"	19' 10"e	28' 1"	24' 3"	19' 9"
1400S250-118	50	29' 7"	26' 10"	22' 10"e	32' 4"	28' 1"	22' 10"	26' 10"	24' 4"	21' 3"	30' 2"	27' 4"	22' 10"
1400S300-54	50	15' 6"e	11' 8"e	7' 9"e	11' 8"e	9' 0"e	6' 1"e	15' 6"e	11' 8"e	7' 9"e	11' 8"e	9' 0"e	6' 1"e
1400S300-68	50	22' 1"e	19' 2"e	15' 7"e	19' 1"	15' 6"	11' 2"e	22' 1"e	19' 2"e	15' 7"e	19' 1"	15' 6"	11' 2"e
1400S300-97	50	28' 4"	24' 10"e	20' 3"e	28' 9"	24' 10"	20' 3"	25' 9"	23' 4"e	20' 3"e	28' 9"	24' 10"	20' 3"
1400S300-118	50	30' 7"	27' 9"	23' 6"e	33' 2"	28' 9"	23' 6"	27' 9"	25' 2"	22' 0"	31' 2"	28' 3"	23' 6"
1400S350-54	50	15' 6"e	11' 8"e	7' 9"e	11' 10"e	9' 1"e	6' 1"e	15' 6"e	11' 8"e	7' 9"e	11' 10"e	9' 1"e	6' 1"e
1400S350-68	50	23' 10"e	20' 8"e	15' 7"e	20' 6"	16' 4"e	11' 7"e	23' 10"e	20' 8"e	15' 7"e	20' 6"	16' 4"e	11' 7"e
1400S350-97	50	30' 1"	27' 1"e	22' 1"e	31' 3"	27' 1"	22' 1"e	27' 4"	24' 10"e	21' 8"e	30' 8"	27' 1"	22' 1"e
1400S350-118	50	32' 0"	29' 1"	25' 4"e	36' 0"	31' 4"	25' 7"	29' 1"	26' 4"	23' 1"e	32' 8"	29' 8"	25' 7"
1600S162-68	50	20' 2"e	17' 6"e	13' 7"e	17' 10"e	14' 3"e	10' 1"e	20' 2"e	17' 6"e	13' 7"e	17' 10"e	14' 3"e	10' 1"e
1600S162-97	50	26' 6"	22' 10"e	18' 8"e	26' 6"	22' 10"	18' 8"	25' 10"	22' 10"e	18' 8"e	26' 6"	22' 10"	18' 8"
1600S162-118	50	30' 8"	26' 7"	21' 9"	30' 9"	26' 7"	21' 9"	27' 10"	25' 3"	21' 9"	30' 9"	26' 7"	21' 9"
1600S200-68	50	22' 0"e	19' 0"e	13' 7"e	18' 4"e	14' 7"e	10' 3"e	22' 0"e	19' 0"e	13' 7"e	18' 4"e	14' 7"e	10' 3"e
1600S200-97	50	28' 8"	24' 9"e	20' 3"e	28' 8"	24' 9"	19' 10"	26' 10"	24' 6"e	20' 3"e	28' 8"	24' 9"	19' 10"
1600S200-118	50	31' 9"	28' 9"	23' 6"e	33' 2"	28' 9"	23' 6"	28' 10"	26' 3"	22' 10"e	32' 4"	28' 9"	23' 6"
1600S250-68	50	22' 10"e	19' 10"e	13' 7"e	18' 4"e	14' 7"e	10' 3"e	22' 10"e	19' 10"e	13' 7"e	18' 4"e	14' 7"e	10' 3"e
1600S250-97	50	29' 10"	25' 10"e	21' 1"e	29' 10"	25' 10"	20' 4"e	27' 10"	25' 3"e	21' 1"e	29' 10"	25' 10"	20' 4"e
1600S250-118	50	32' 10"	29' 10"	24' 6"e	34' 7"	30' 0"	24' 6"	29' 10"	27' 2"	23' 8"e	33' 7"	30' 0"	24' 6"
1600S300-68	50	23' 4"e	20' 2"e	13' 7"e	18' 6"e	14' 8"e	10' 3"e	23' 4"e	20' 2"e	13' 7"e	18' 6"e	14' 8"e	10' 3"e
1600S300-97	50	30' 8"e	26' 7"e	21' 8"e	30' 8"	26' 7"	20' 9"e	28' 7"	25' 10"e	21' 8"e	30' 8"	26' 7"	20' 9"e
1600S300-118	50	33' 10"	30' 9"	25' 2"e	35' 7"	30' 9"	25' 2"	30' 9"	28' 0"	24' 6"e	34' 7"	30' 9"	25' 2"
1600S350-68	50	25' 1"e	20' 4"e	13' 7"e	19' 3"e	15' 1"e	10' 6"e	25' 1"e	20' 4"e	13' 7"e	19' 3"e	15' 1"e	10' 6"e
1600S350-97	50	33' 1"e	28' 9"e	23' 6"e	33' 2"	28' 1"	21' 9"e	30' 1"	27' 3"e	23' 6"e	33' 2"	28' 1"	21' 9"e
1600S350-118	50	35' 6"	32' 2"	27' 4"e	38' 8"	33' 6"	27' 4"	32' 2"	29' 3"	25' 7"e	36' 2"	32' 10"	27' 4"

GENERAL NOTES:

- Spans are based on continuous lateral support of the compression flange over the full joist length.
- Tension flange must be laterally braced at a maximum spacing of 8'-0".
- Joists must be braced against rotation at all supports.
- Distortional buckling calculations are based on K_φ = 0.
- For two equal spans, the listed span is the distance from either end to the continuous centre support.
- End web crippling check is based on 3.5" end bearing. Where listed spans are followed by "e", web stiffeners are required at end supports.
- Web stiffeners are required at interior supports.
- Total load (TL) deflection is based on L/240 and live load (LL) deflection is based on either L/360 or L/480.



BAILEY[®]
METAL PRODUCTS LIMITED



BAILEY C-JOIST SPAN TABLES AND DETAILS

sales@bmp-group.com • www.bmp-group.com



JF07IN19-1000

MONTREAL

525 Avenue Edward VII
Dorval, QC H9P 1E7
Tel. (514) 735-3455
800-263-3455
Fax. (514) 735-5052

TORONTO

1 Caldari Road
Concord, ON L4K 3Z9
Tel. (905) 738-9267
800-668-2154
Fax. (905) 738-5712

CALGARY

3924 27th Street NE
Calgary, AB T1Y 5K7
Tel. (403) 248-3536
800-665-2013
Fax. (403) 248-0288

EDMONTON

5710 Roper Road NW
Edmonton, AB T6B 3G7
Tel. (780) 462-5757
800-563-1751
Fax. (780) 450-3378

VANCOUVER

3635 190th Street,
Surrey, BC V3Z 0P6
Tel. (604) 590-5100
800-818-2666
Fax. (604) 599-5371