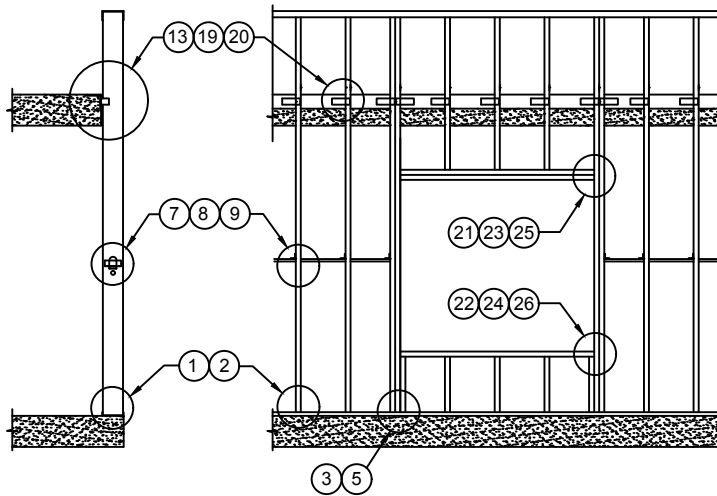
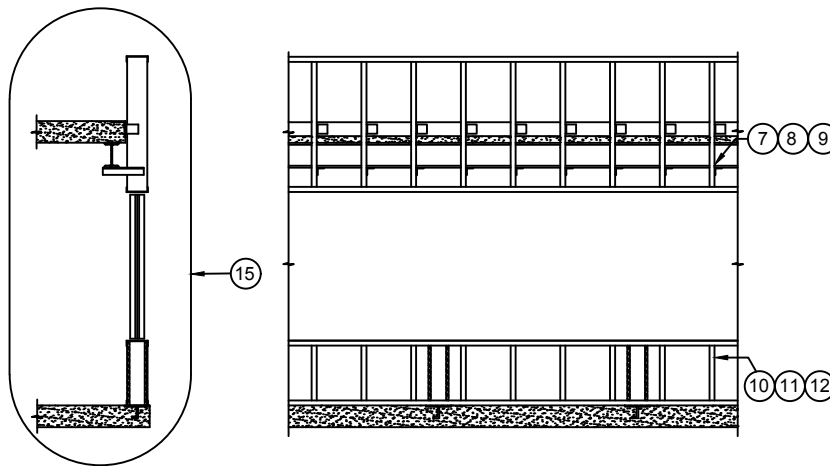


WIND LOADBEARING CONTINUOUS CURTAINWALL



WIND LOADBEARING SPANDREL WALL FOR STRIP WINDOWS



BAILEY[®]
METAL PRODUCTS LIMITED

COMSLAB[®]

Project:

Title:

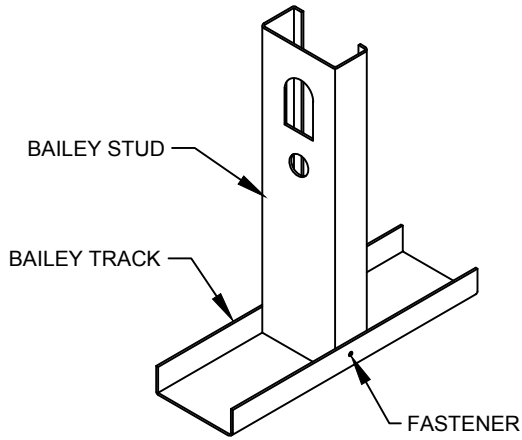
Checked By: N.I.

Drawn By: W.A.

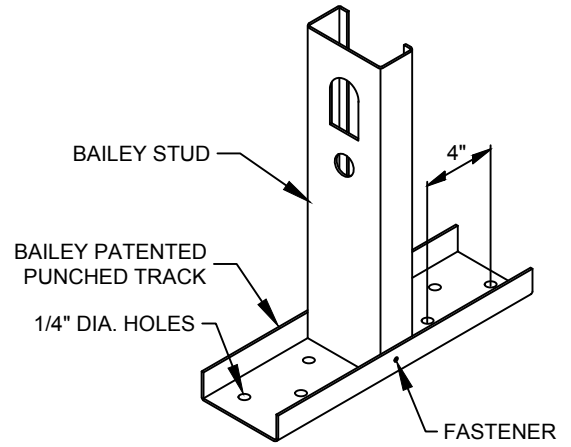
Scale: As Defined (for 8.5x11" paper)

Sheet:
CS3.1

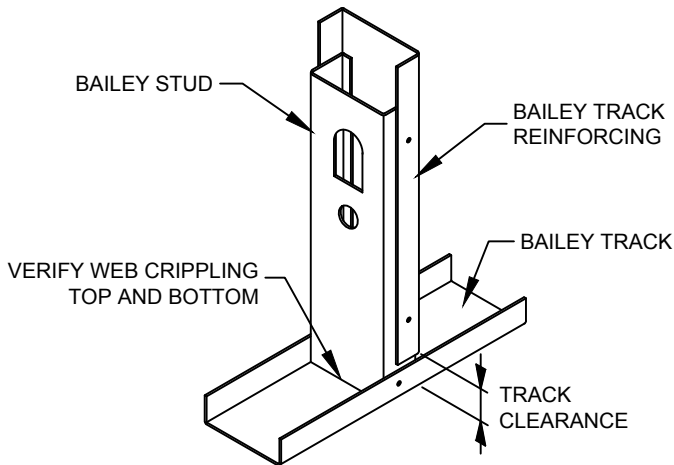
GENERAL DETAILS



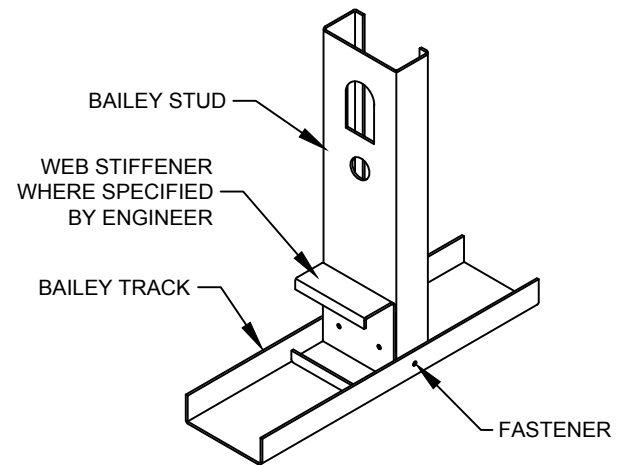
1 BAILEY STUD TO BAILEY TRACK



2 BAILEY STUD TO BAILEY PATENTED PUNCHED TRACK



3 BAILEY STUD REINFORCED WITH BAILEY TRACK



4 BAILEY STUD WITH WEB STIFFENER REINFORCING

BAILEY[®]
METAL PRODUCTS LIMITED

COMSLAB[®]

Project:

Title:

Checked By: N.I.

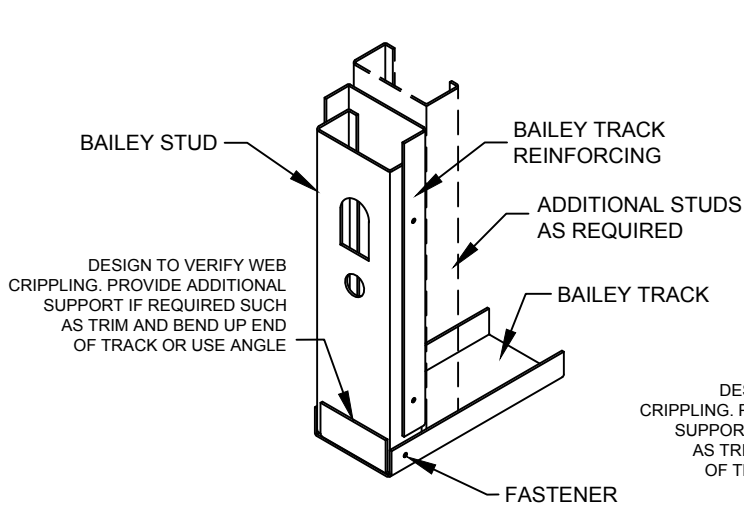
Drawn By: W.A.

Scale: As Defined (for 8.5x11" paper)

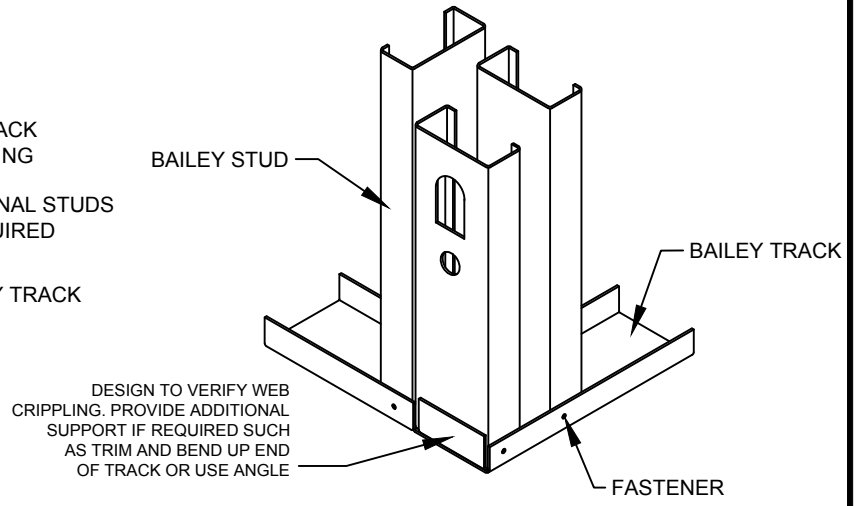
Sheet:

CS3.2

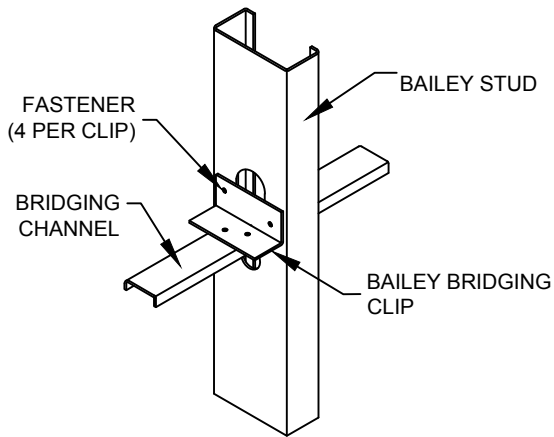
GENERAL DETAILS



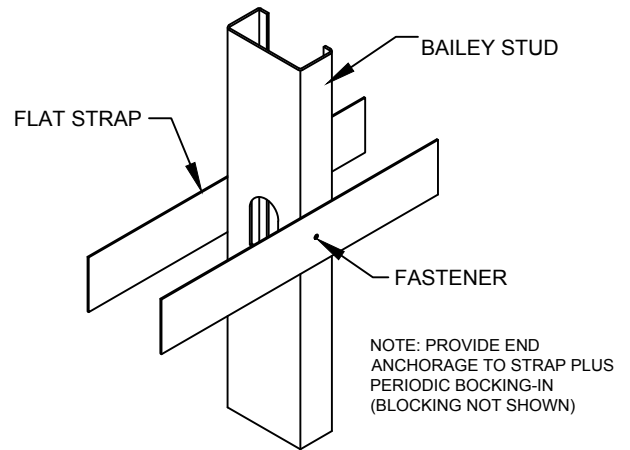
5 JAMB STUD AT DOOR OPENING



6 STUD TO TRACK AT CORNERS



7 THROUGH-THE-STUD BRIDGING



8 FLAT STRAP BRIDGING

BAILEY[®]
METAL PRODUCTS LIMITED

COMSLAB[®]

Project:

Title:

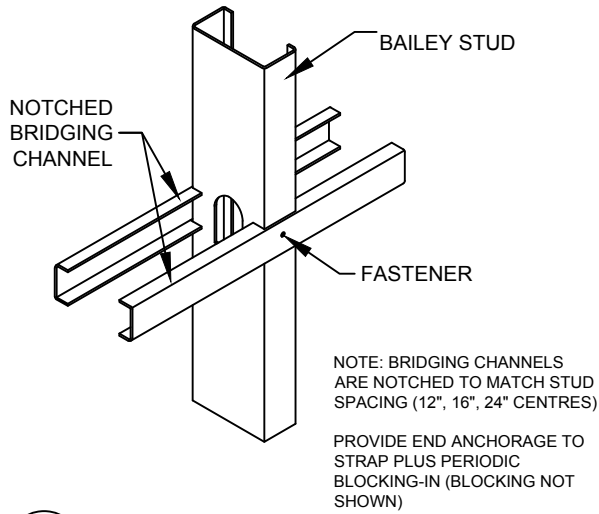
Checked By: N.I.

Drawn By: W.A.

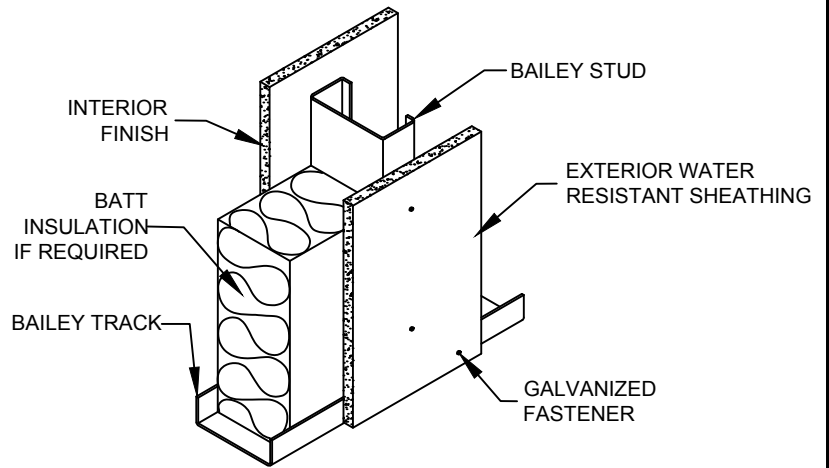
Scale: As Defined (for 8.5x11" paper)

Sheet:
CS3.3

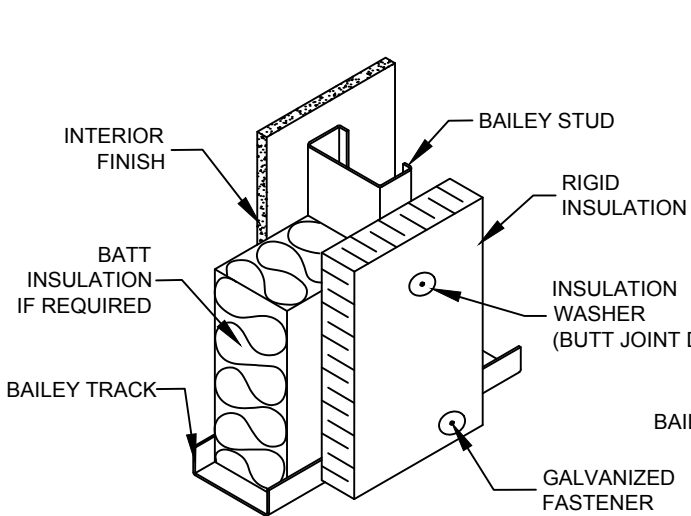
GENERAL DETAILS



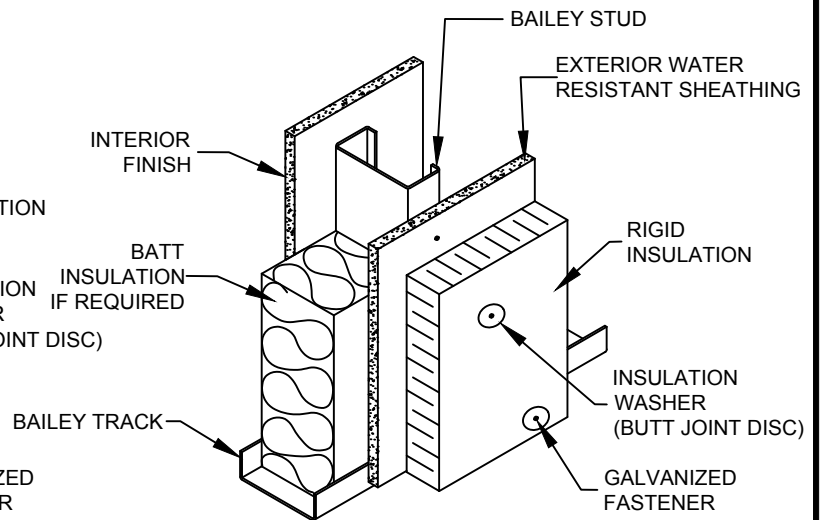
9 NOTCHED CHANNEL BRIDGING



10 EXTERIOR SHEATHING



11 EXTERIOR RIGID INSULATION



12 EXTERIOR SHEATHING AND RIGID INSULATION

BAILEY[®]
METAL PRODUCTS LIMITED

COMSLAB[®]

Project:

Title:

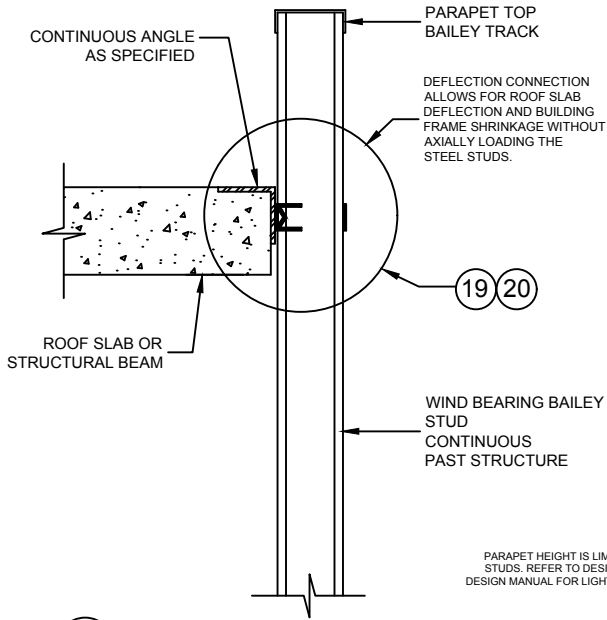
Checked By: N.I.

Drawn By: W.A.

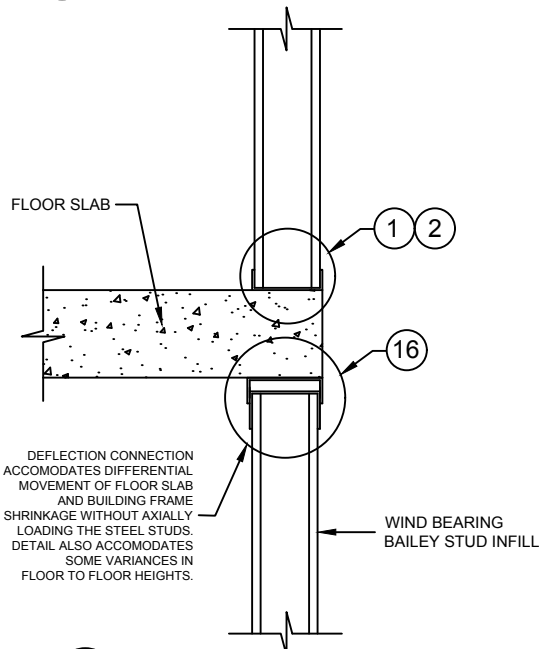
Scale: As Defined (for 8.5x11" paper)

Sheet:
CS3.4

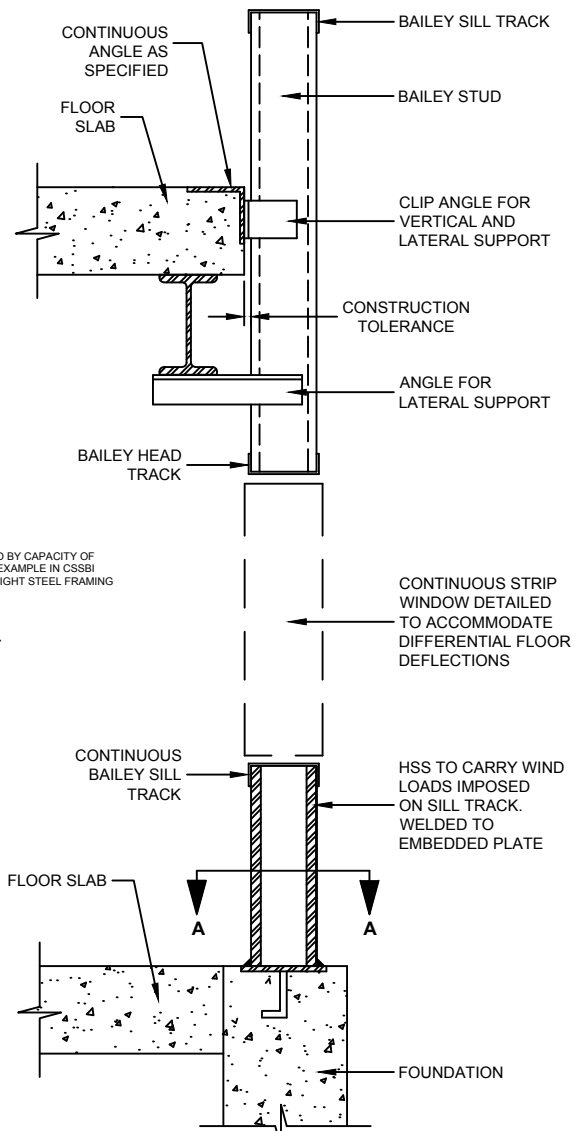
WIND BEARING WALLS



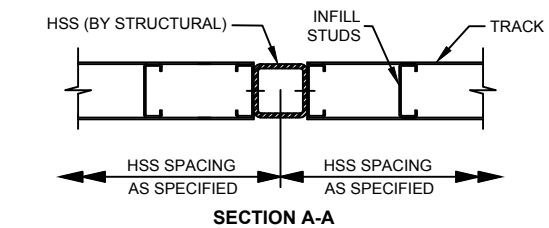
13 CONTINUOUS WIND BEARING STUD AT PARAPET



14 WIND BEARING INFILL WALL



15 SPANDREL WALL FOR STRIP WINDOWS

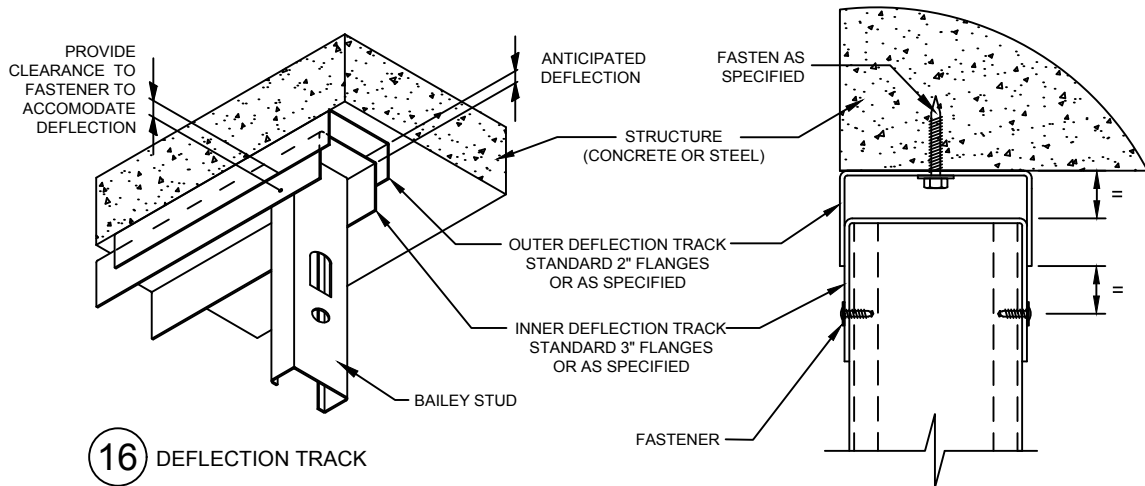


BAILEY[®]
METAL PRODUCTS LIMITED

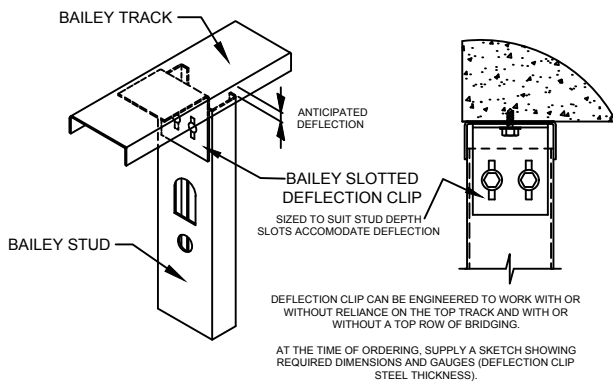
COMSLAB[®]

Project:		Sheet: CS3.5
Title:		
Checked By: N.I.	Drawn By: W.A.	
Scale: As Defined (for 8.5x11" paper)		

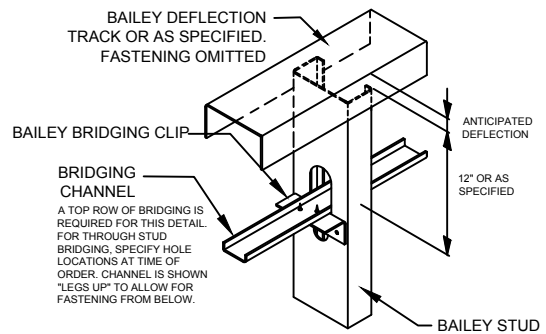
WIND BEARING WALLS - DEFLECTION DETAILS



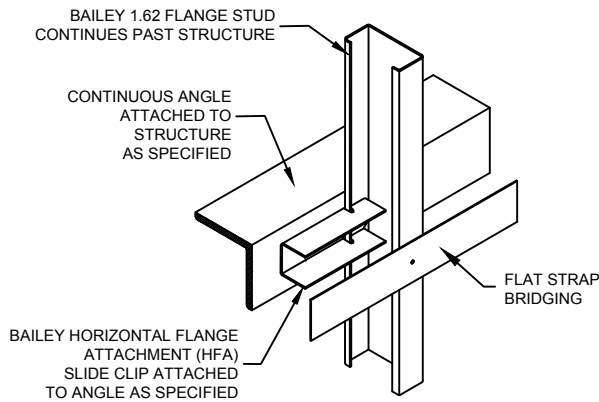
16 DEFLECTION TRACK



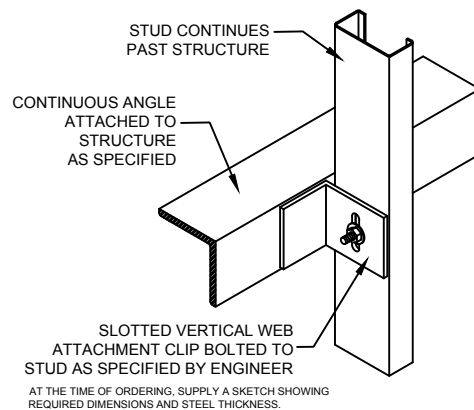
17 SLOTTED DEFLECTION CLIP (RADIUS WALL APPLICATIONS)



18 SINGLE DEFLECTION TRACK



19 HORIZONTAL FLANGE ATTACHMENT (HFA) CLIP



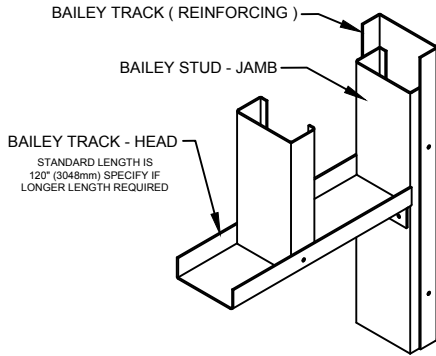
20 VERTICAL WEB ATTACHMENT (VWA) CLIP

BAILEY[®]
METAL PRODUCTS LIMITED

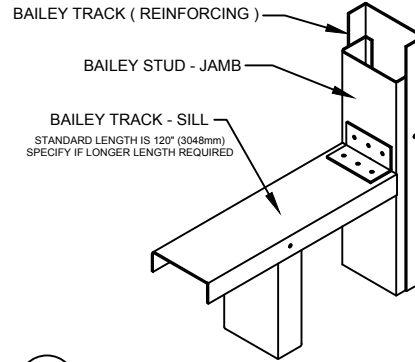
COMSLAB[®]

Project:		Sheet: CS3.6
Title:		
Checked By:	N.I.	
Drawn By:	W.A.	
Scale:	As Defined (for 8.5x11" paper)	

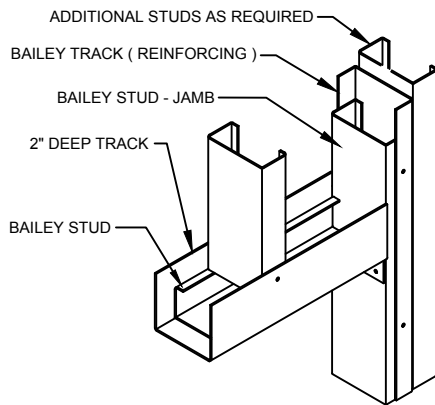
WIND BEARING WALLS AT OPENINGS



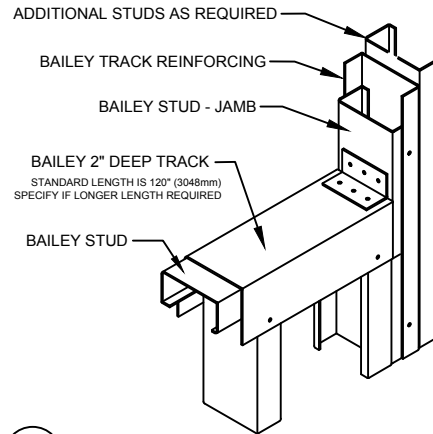
21 HEAD TRACK TO JAMB STUDS



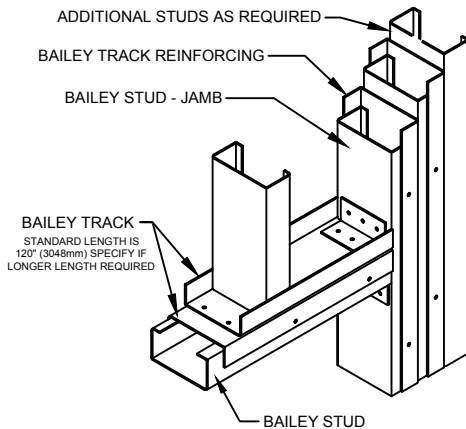
22 SILL TRACK TO JAMB STUDS



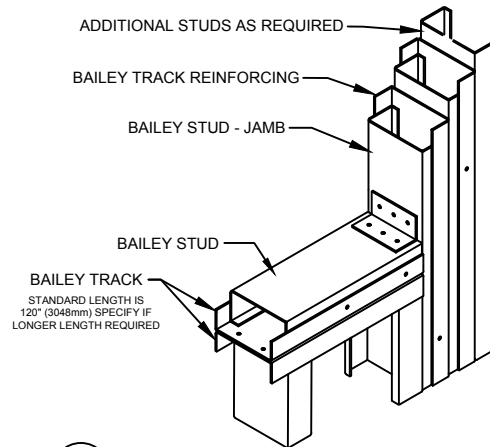
23 REINFORCED HEAD TRACK TO JAMB STUDS



24 REINFORCED SILL TRACK TO JAMB STUDS



25 BUILT-UP HEAD TRACK TO JAMB STUDS



26 BUILT-UP SILL TRACK TO JAMB STUDS

BAILEY[®]
METAL PRODUCTS LIMITED

COMSLAB[®]

Project:

Title:

Checked By: N.I.

Drawn By: W.A.

Scale: As Defined (for 8.5x11" paper)

Sheet:
CS3.7