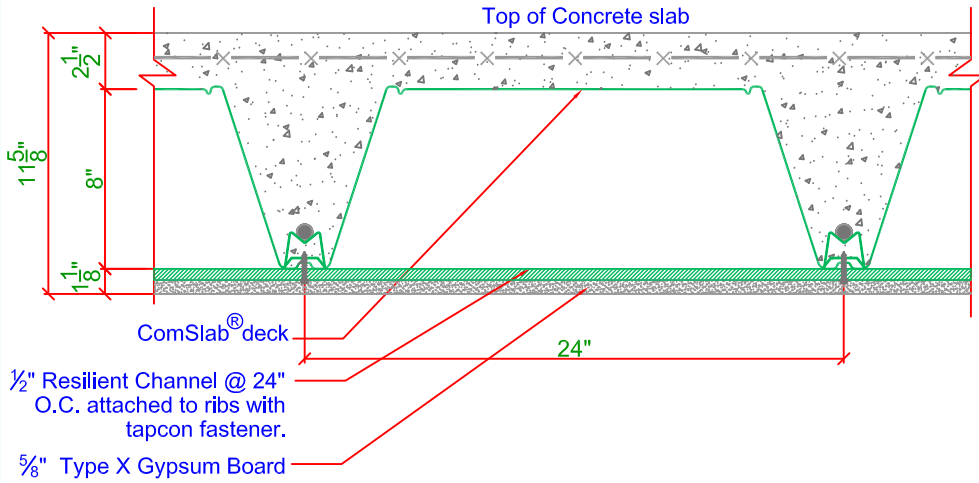


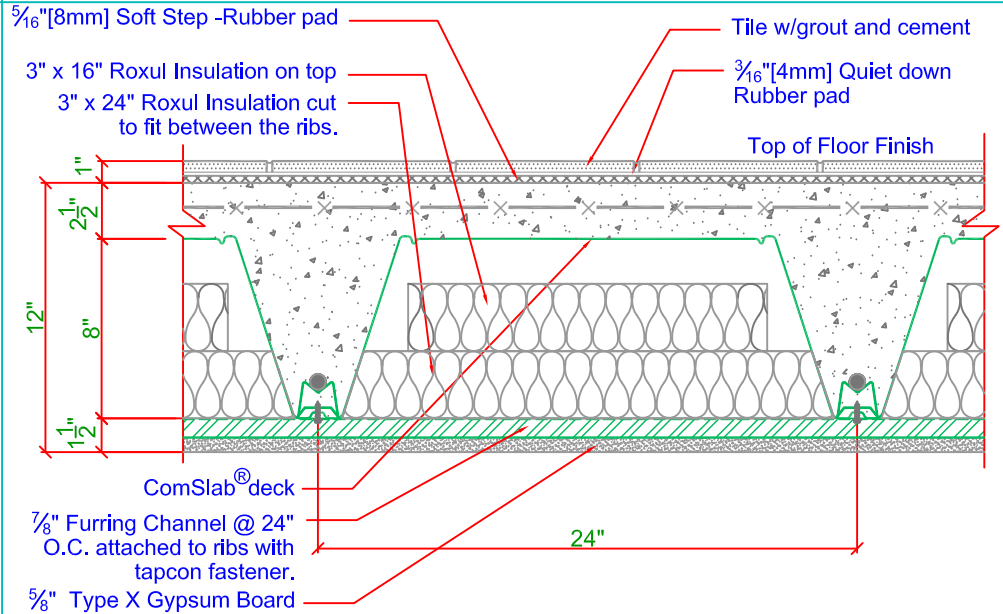
TESTED ASSEMBLY



RESULT: IIC 21

REPORT NO: 7009076

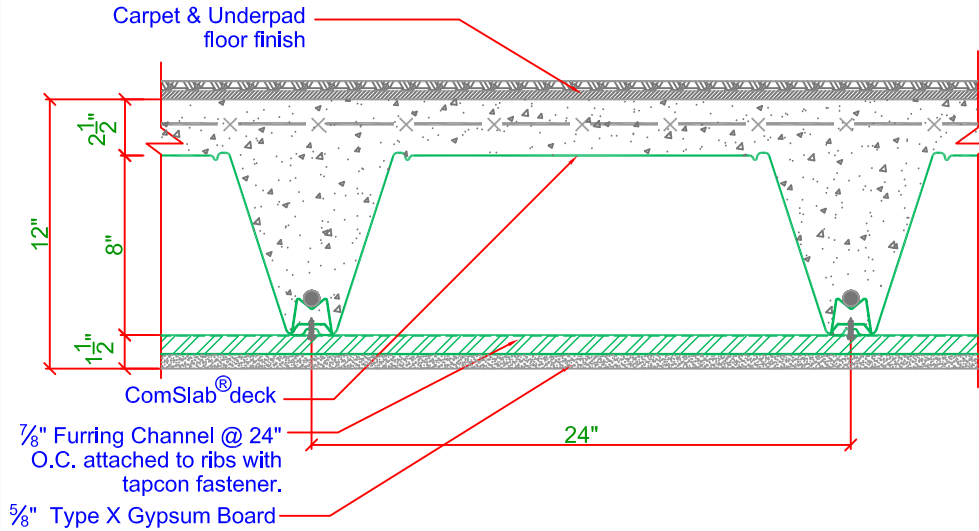
TESTED ASSEMBLY



RESULT: IIC 54

REPORT NO: 7009141

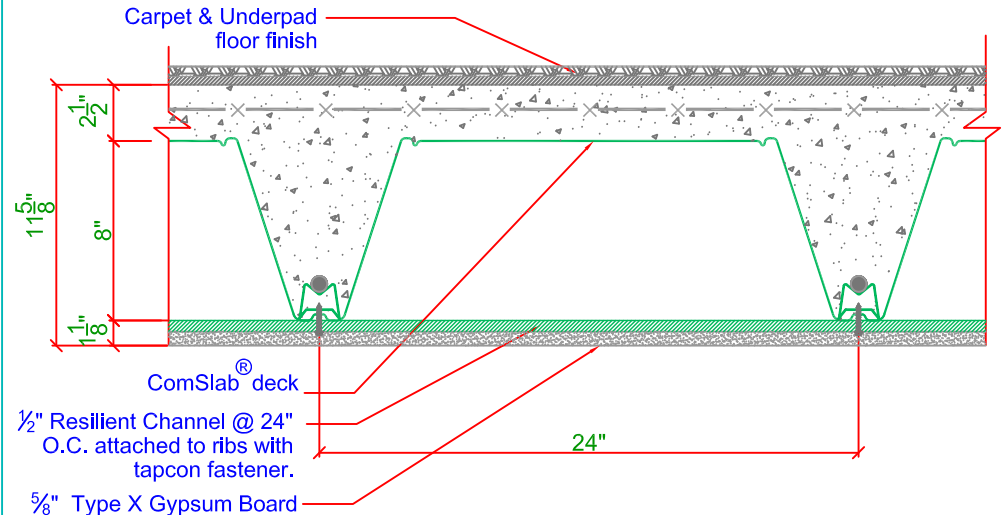
TESTED ASSEMBLY



RESULT: IIC 60

REPORT NO: 7009083

TESTED ASSEMBLY



RESULT: IIC 68

REPORT NO: 7009077



ONE CALDARI ROAD
CONCORD, ONTARIO
L4K 3Z9
TEL: 905-738-9267
FAX: 905-738-9408
EMAIL: www.bmp-group.com

THIS DRAWING IS PROPERTY OF BAILEY METAL PRODUCTS LTD., AND MAY NOT BE REPRODUCED, COPIED, MODIFIED OR LOANED WITHOUT WRITTEN PERMISSION.
ALL DESIGNS, CONCEPTS OR OTHER INFORMATION SHOWN ON THIS DRAWING ARE FOR USE ON THIS PROJECT ONLY AND SHALL NOT BE USED OTHERWISE WITHOUT WRITTEN PERMISSION.

PROJECT:

TYPICAL DETAILS

TITLE:

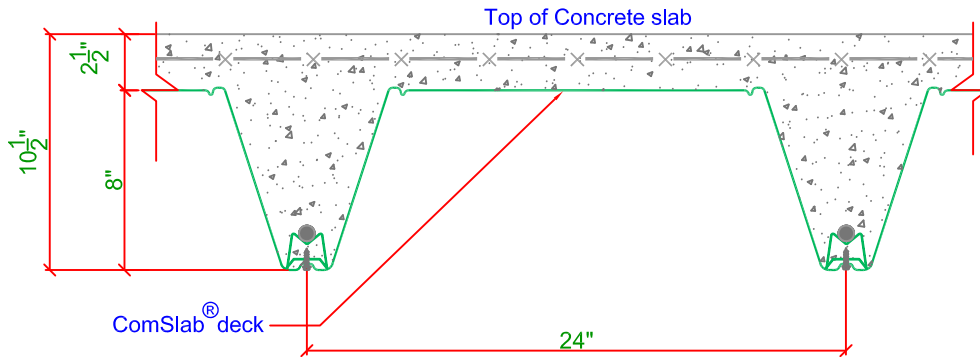
ComSlab Acoustical Performance
Tested Assemblies with STC and IIC ratings

PROJECT NO:
DATE: FEB 17, 2012
DRAWN BY: M.A.
CHECK BY: A.A.
SCALE: NOT TO SCALE

DRAWING NO:

1.0

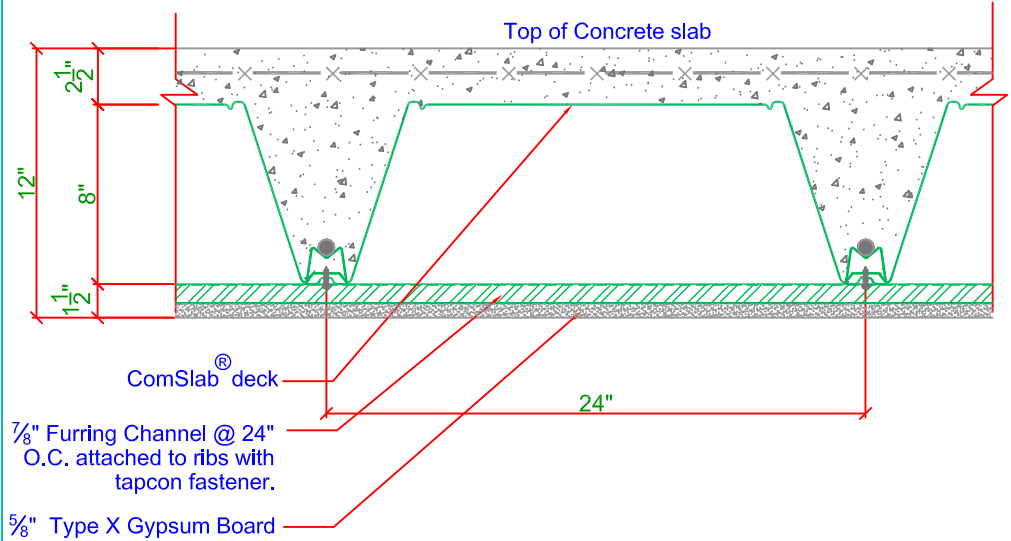
TESTED ASSEMBLY



RESULT: **STC 47**

REPORT NO: **5009077**

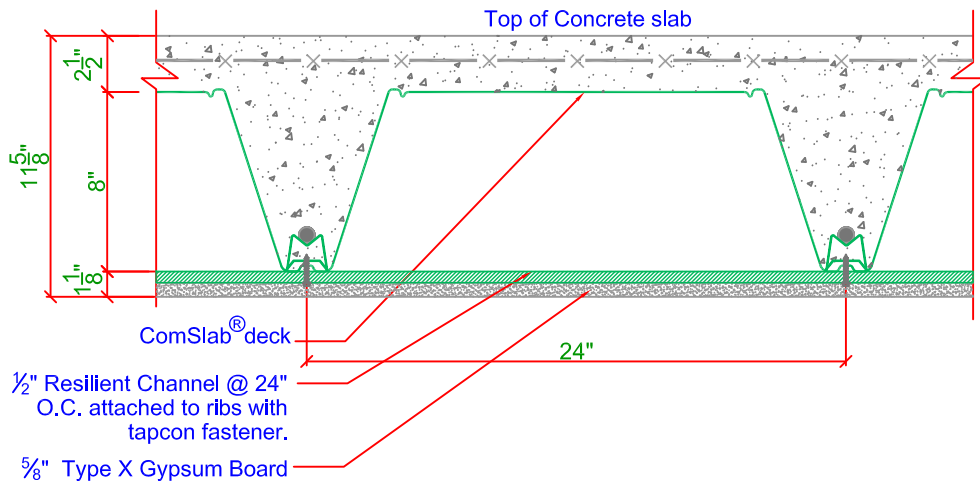
TESTED ASSEMBLY



RESULT: **STC 56**

REPORT NO: **5009050**

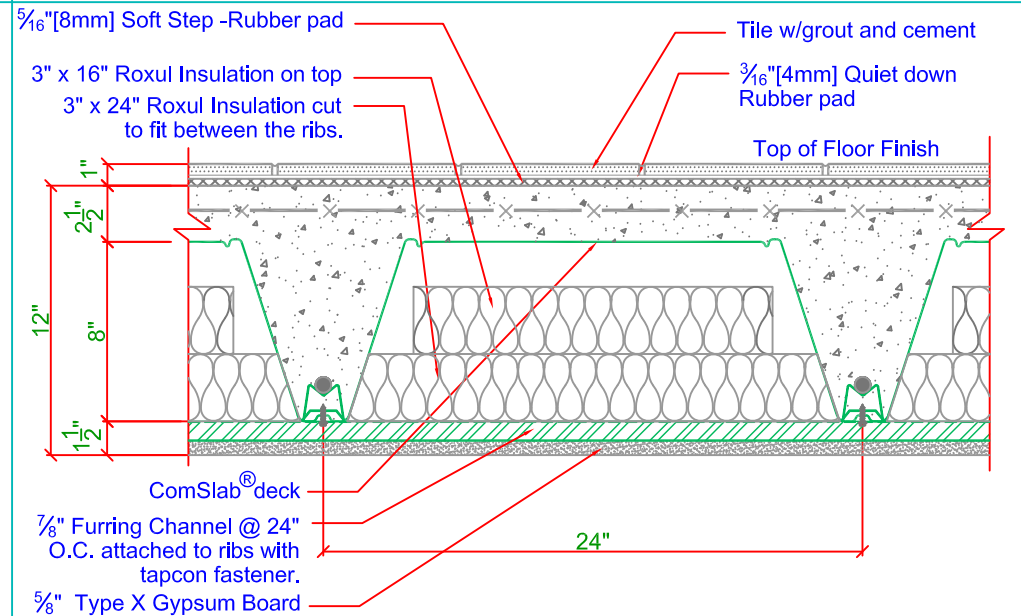
TESTED ASSEMBLY



RESULT: **STC 58**

REPORT NO: **5009047**

TESTED ASSEMBLY



RESULT: **STC 60**

REPORT NO: **5009076**



ONE CALDARI ROAD
CONCORD, ONTARIO
L4K 3Z9

TEL: 905-738-9267
FAX: 905-738-9408
EMAIL: www.bmp-group.com

THIS DRAWING IS PROPERTY OF BAILEY METAL PRODUCTS LTD., AND MAY NOT BE REPRODUCED, COPIED, MODIFIED OR LOANED WITHOUT WRITTEN PERMISSION.

ALL DESIGNS, CONCEPTS OR OTHER INFORMATION SHOWN ON THIS DRAWING ARE FOR USE ON THIS PROJECT ONLY AND SHALL NOT BE USED OTHERWISE WITHOUT WRITTEN PERMISSION.

PROJECT:

TYPICAL DETAILS

TITLE:

ComSlab Acoustical Performance
Tested Assemblies with STC and IIC ratings

PROJECT NO:

DATE: FEB 17, 2012

DRAWN BY: M.A.

CHECK BY: A.A.

SCALE: NOT TO SCALE

DRAWING NO:

1.1