

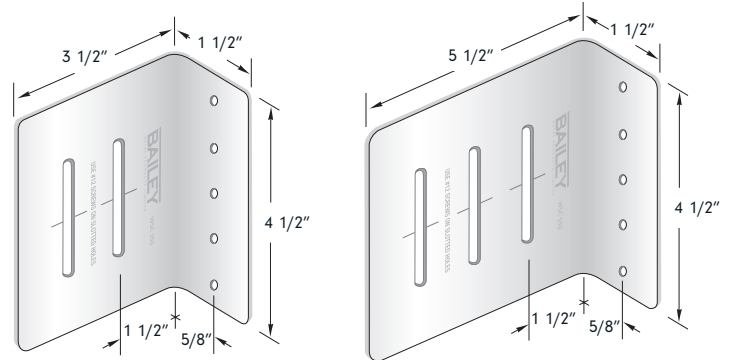
BAILEY WEBSLIDE CLIP (WSC 350 AND WSC 550)

BAILEY WEBSLIDE CLIP

Used with exterior curtain wall steel studs, specifically in by-pass applications.

- Accommodates standoff situations where required
- Allows up to 2.50" vertical movement (1.25" in each direction)
- Available in two sizes with 2 slots to accommodate 3 5/8" or 4" studs and 3 slots to accommodate 6" or 8" studs
- Designed with pre-punched holes to ensure correct fastening locations

BAILEY WEBSLIDE CLIP



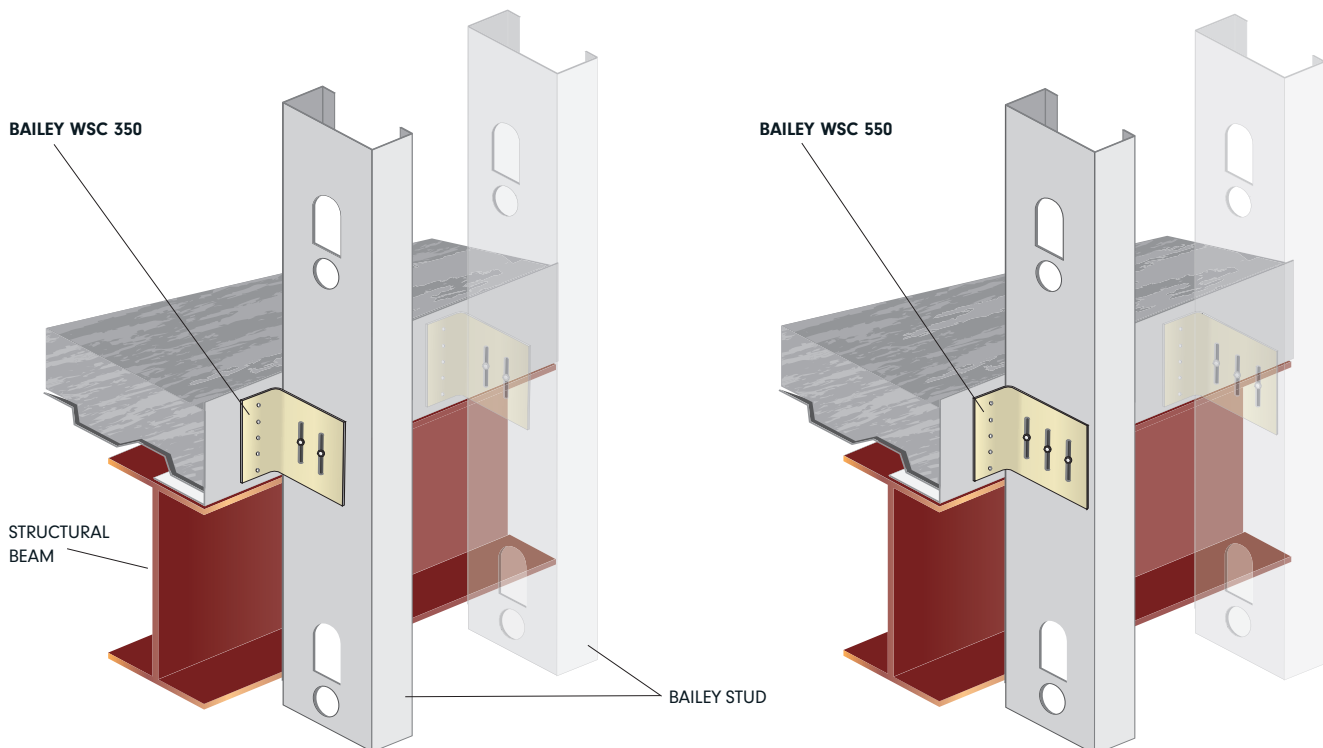
WSC 350

WSC 550

BAILEY WSC 350 AND WSC 550 PROPERTIES

Product Identification	Base Steel Thickness		Size		Weight*	Mass*	Yield Strength** ksi	Coating***	Packaging Pcs/Ctn	
	Mils	Design		in.						mm
		in.	mm							
WSC 350	97	0.102	2.58	1.5x4.5x3.5	38.1x114x88.9	0.614	0.279	50	G90	25
WSC 550				1.5x4.5x5.5	38.1x114x139	0.860	0.390			

* Weight is based on design steel thickness of net section. ** Meets ASTM A1003: Specification for Steel Sheet, Carbon, Metallic and Nonmetallic-Coated for Cold-Formed Framing Members. *** Meets ASTM A653: Specification for Steel Sheet, Zinc-Coated (Galvanized) or Zinc Iron Alloy-Coated (Galvannealed) by the Hot-Dip Process.





BAILEY WEBSLIDE CLIP (WSC 350 AND WSC 550)

INSTALLATION

The WSC 350 or WSC 550 Deflection Clip can be attached to the structure using power actuated fasteners (PAF), screws, concrete anchors or by welding, dependant upon the base material of the structure and as specified by the engineer of record and as outlined on the engineered shop drawings. When stand-off bridging is required, an additional steel stud should be used to bridge the distance.

LOAD CAPACITIES

	Stud Identification	Stud Steel Properties		Service Limit Load	Ultimate Load	LSD Factored Load Resistance
		Mils	Yield Strength (ksi)	lb	lb	lb
WSC 350	362 S 162 - 33	33	33	831	831	396
	362 S 162 - 43	43	33	1272	1272	606
	362 S 162 - 54	54	50	1640	2136	1017
	362 S 162 - 68	68	50	1682	3148	1499
WSC 550	600 S 162 - 33	33	33	1128	1128	537
	600 S 162 - 43	43	33	1614	1954	930
	600 S 162 - 54	54	50	1730	3049	1453
	600 S 162 - 68	68	50	1582	3411	1624

TABLE NOTES

- Clip capacity loads were obtained from tests performed under the supervision of Dr. R. M. Schuster, P. Eng.
- Above loads are based on using #12 screws and following the installation instructions
- The service limit load was recorded at 1/8" deflection according to the Research Note published by LGSEA on CFS "Testing and Establishing Design Values for Clips" by Roger LaBoube, P.E., Ph.D., February 2002
- Ultimate loads are based the maximum clip resistance
- LSD factored load resistances were derived according to section F1.1 of CSA S136-07
- Anchoring the Bailey WSC Clip to the structure is the responsibility of the engineer of record

